

PORTABLE GIGABIT ETHERNET AGGREGATION TAP (USB MONITORING)

WITH 1 NETWORK CONNECTION AND 1 UNI-DIRECTIONAL USB 3.0 MONITOR CONNECTION

The USR Portable Gigabit Ethernet Aggregation TAP with USB monitoring provides a compact and convenient tool for field testing and troubleshooting that easily fits with your laptop into a carrying case or backpack. Don't worry about a bulky power supply, this TAP is powered over USB 3.0 from your laptop. Quickly install, observe, and monitor 100% of your Ethernet network traffic between two devices, while maintaining invisibility and eliminating SPAN port contention, oversubscription, and configuration errors. The highly efficient portable TAP faultlessly combines and processes both the TX and RX streams of data into a single data stream, allowing any connected monitoring device (analyzer, IDS, probe) to receive a 2Gbps stream of full-duplex data over a USB 3.0 connection. Normally powered over USB 3.0, the TAP can also use a USR VersaPower TAP external power supply if your laptop has older USB ports. The TAP passes PoE between the connected devices, so monitoring Power Over Ethernet networks is no problem. Wide compatibility with Windows, Linux, and Mac operating systems creates a flexible network monitoring solution that provides portable, reliable access to your Gigabit Ethernet segments.



Small, Compact Full-Duplex Gigabit Troubleshooting and Field Testing

Monitoring & Analysis

- Full-duplex monitoring for single interface monitoring tools running on a laptop
- Wider range of tools available with USB connection
- Improved visibility into the network - including VLAN tags

Aggregating Data

- Monitor all network traffic from two different sources
- Improve network troubleshooting by viewing both sides of a full-duplex conversation
- Combine both directions of a full-duplex data stream in a single trace file
- Utilize single USB probes for advanced monitoring or hardware reduction

Network Stability

- Fault-tolerant
- Eliminate SPAN port contention, oversubscription, and configuration errors
- Improve overall switch performance by removing port mirror degradation while freeing valuable ports
- Link Failure Propagation for High Availability designed networks ensures instant switch to the secondary link to maintain 100% uptime

Security

- Unidirectional and invisible to other devices on the network making it impossible to access or infiltrate connected monitoring and analysis tools

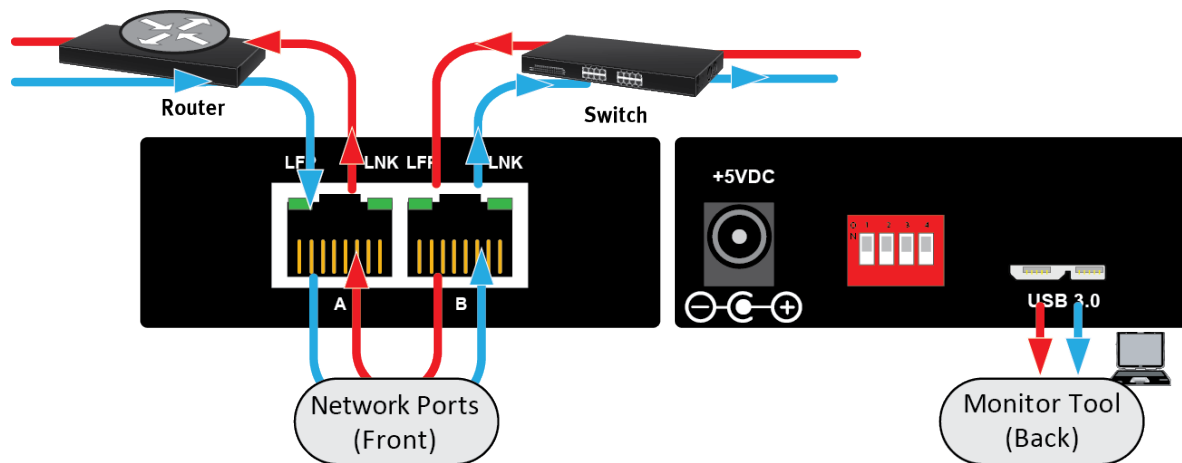
Simple installation

- USB Plug-and-play means simple and fast deployments
- Compatible with most major operating systems: Windows, Linux and Macintosh
- Auto negotiates settings for 10/100/1000 Mbps network speeds
- Auto-MDI/MDI-X
- Single network break for permanent installation

Reliable Power

- Power over USB 3.0
- Passes PoE (Power over Ethernet)
- USR4520-ACC VersaPower TAP kit available for AC/DC power
- Failsafe inline design allows network connectivity in the event of a power failure





MODEL 4524-MINI PORTABLE GIGABIT ETHERNET AGGREGATION TAP (USB)



SPECIFICATIONS & STANDARDS

PHYSICAL

- Metal 1U chassis
- Four LEDs (LFP-A, LNK-A, LFP-B, LNK-B)
- Two RJ45 10/100/1000 Ethernet Network Ports
- One USB 3.0 Micro B Uni-directional Monitor Port
- One Power input - 5.5 x 2.5mm Barrel Socket
- One 4-position DIP switch

POWER REQUIREMENTS (USB OR EXTERNAL POWER SUPPLY)

- Input voltage: 5V DC \pm 5%
- Max. Current: 850mA
- Max. Power Consumption: 4.25 Watts

OPTIONAL AC/DC POWER SUPPLY

- USR Product Number: USR4520-ACC
- Input ratings: 100-240VAC, 50/60HZ, 0.6A
- Blades: US, UK, EU, AU
- Output ratings: 5V DC \pm 5%, 3A 15W min
- Plug Dimension: 2.5mm ID x 5.5mm OD, Center Positive

TRANSFER RATE

- SuperSpeed USB 3.1 Gen 1 (5 Gbps)

ENVIRONMENTAL

- Temperature:
 - Operating Temperature: 0° to 40° C
 - Non-Operating Temperature: -20° to 70° C
- Humidity:
 - 0% to 90% non-condensing

REGULATORY & CERTIFICATIONS

- FCC (Part 15/Class A)
- CE
- UKCA
- Safety STD IEC 62368-1
- CSA STD C22.2
- RoHS 3 Compliant
- WEEE Compliant

PACKAGE DIMENSIONS/WEIGHT

- 10 x 6 x 3 in (25.4 x 15.24 x 7.62 cm)
- .75 lbs (.34 kg)

PRODUCT DIMENSIONS/WEIGHT

- 5.12 x 2.68 x 1.04 in (13.0 x 6.8 x 2.6 cm)
- .31 lbs (.14 kg)

PACKAGE CONTENTS

- USR Portable Gigabit Ethernet Aggregation TAP
- 1 USB 3.0 Type A to Micro B cable (32 in./81.28 cm)
- Information Card

PRODUCT NUMBERS

- USR4524-MINI
- Optional USR4520-ACC VersaPower TAP AC Power Supply

WARRANTY

- 2-year limited manufacturer warranty from date of purchase