

GIGABIT ETHERNET AGGREGATION TAP

WITH 1 NETWORK CONNECTION AND 2 UNI-DIRECTIONAL MONITOR CONNECTIONS

The USR Gigabit Ethernet Aggregation TAP eliminates SPAN port contention, oversubscription, and configuration errors with 3 different modes, simple installation, and reliable access to your Gigabit Ethernet segments. In aggregation mode this TAP faultlessly combines and processes both the TX and RX streams of data into a single data stream. Improve visibility with two monitor ports sending identical copies of full-duplex data to separate network tools (analyzer, IDS, probe) for simultaneous monitoring and analyzing. For dual-receive tools, breakout mode is available for individual TX and RX streams. SPAN/Regenerate mode transmits 3 copies of incoming traffic for up to 3 tools. Ideal for security applications, including link failure propagation for HA designed networks, or anywhere you need non-intrusive dedicated access to your network links for advanced or consolidated monitoring.



Multi-purpose TAP for Aggregation, Breakout, and SPAN/Regeneration

Monitoring & Analysis

- Aggregation mode allows monitoring full-duplex traffic, even with single interface monitoring tools
- Breakout mode allows monitoring full-duplex traffic with RX and TX streams on separate monitoring ports
- SPAN/Regeneration mode sends copies to multiple tools to provide access to the same links for system redundancy, testing and advanced monitoring applications
- Improved visibility into the network - including VLAN tags
- Ideal for Intrusion Detection System (IDS) applications

Aggregating Data

- Monitor all network traffic from two different sources
- Improve network troubleshooting by viewing both sides of a full-duplex conversation
- Combine both directions of a full-duplex data stream in a single trace file
- Allows flexibility of monitoring devices, including the option to revert to traditional full-duplex dual channel data capture, utilizing single NIC probes for advanced monitoring or hardware reduction

Network Stability

- Fault-tolerant
- Ideal for 24x7 permanent access - Deploy tools or utilize TAP ports immediately without network traffic interruptions or the need for maintenance windows
- Eliminate SPAN port contention, oversubscription, and configuration errors
- Improve overall switch performance by removing port mirror degradation while freeing valuable ports
- Link Failure propagation for High Availability designed networks ensures instant switch to the secondary link to maintain 100% uptime

Security

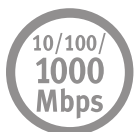
- Unidirectional and invisible to other devices on the network making it impossible to access or infiltrate connected monitoring and analysis tools

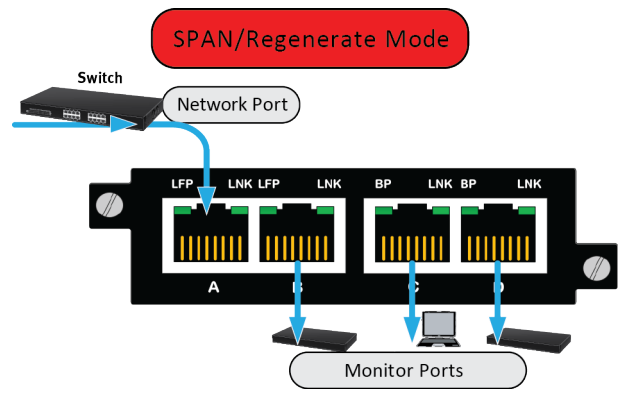
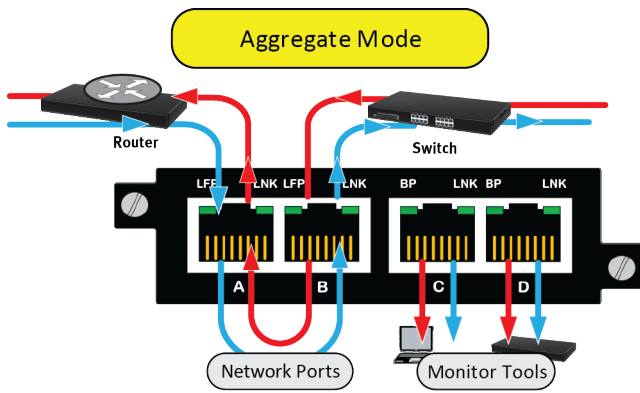
Simple installation

- Plug and play means simple and fast deployments
- Auto negotiates settings for 10/100/1000 Mbps network speeds
- Auto-MDI/MDI-X
- Easy configuration with simple DIP switches
- Single network break for permanent installation
- Convenient mounting tabs for use with the optional 1U rackmount kit for up to 4 devices

Reliability

- Failsafe inline design allows network connectivity in the event of a power failure





MODEL 4523 GIGABIT ETHERNET AGGREGATION TAP



SPECIFICATIONS & STANDARDS

PHYSICAL

- Metal 1U chassis
- Eight LEDs (LFP-A, LNK-A, LFP-B, LNK-B, BP-C, LNK-C, BP-D, LNK-D)
- Two RJ-45 10/100/1000 Ethernet Network Ports
- Two RJ-45 100/1000 Ethernet Uni-directional Monitor Ports
- One Power input - 5.5 x 2.5mm Barrel Socket
- One 8-position DIP switch

POWER

- Input voltage: 5V DC \pm 5%
- Max. Current: 1.77 Amps
- Max. Power Consumption: 8.85 Watts
- AC Power Supply Input: 100-240VAC, 50/60HZ, 0.6A
- AC Power Supply Output: 5V DC, 3A 15W min
- Output Power Plug Dimension: 2.5mm ID x 5.5mm OD, Center Positive

ENVIRONMENTAL

- Temperature:
 - Operating Temperature: 0° to 40° C
 - Non-Operating Temperature: -20° to 70° C
- Humidity:
 - 5% to 90% non-condensing

REGULATORY & CERTIFICATIONS

- FCC (Part 15/Class A)
- CE
- UKCA
- Safety STD IEC 62368-1
- CSA STD C22.2
- RoHS 3 Compliant
- WEEE Compliant

PACKAGE DIMENSIONS/WEIGHT

- 12 x 6 x 3 in (30.48 x 15.24 x 7.62 cm)
- 1.50 lbs. (.68 kg)

PRODUCT DIMENSIONS/WEIGHT

- 6.55 x 3.90 x 1.15 in. (16.6 x 9.9 x 2.9 cm)
- .70 lbs (.32 kg)

PACKAGE CONTENTS

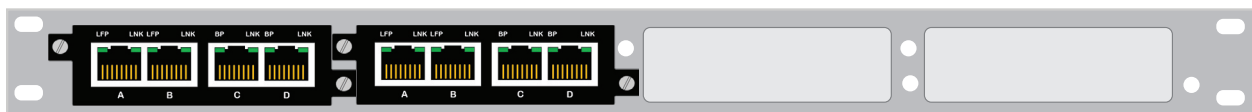
- USR Gigabit Ethernet Aggregation TAP with integrated mounting tabs for use with USR4522-RMK
- 1 AC Power Supply with clips for US, UK, EU, AU
- 2 Mounting screws
- Information Card

PRODUCT NUMBERS

- USR4523
- Optional USR4522-RMK 4 Unit 1U TAP Rackmount Chassis
- USR4520-ACC VersaPower TAP AC Power Supply replacement

WARRANTY

- 2-year limited manufacturer warranty from date of purchase



USR4522-RMK - 1U Rackmount Chassis holding up to 4 TAPs