

USR4524

NETWORK TAPs

GIGABIT ETHERNET AGGREGATION TAP (USB MONITORING)

WITH 1 NETWORK CONNECTION AND 1 UNI-DIRECTIONAL USB 3.0 MONITOR CONNECTION

The USR Gigabit Ethernet Aggregation TAP with USB monitoring provides an easy, convenient interface to rapidly and effectively deploy analysis tools to observe and monitor traffic non-intrusively between two devices on an Ethernet network. Powered over USB 3 or external power supply included with the product for older USB connections. Eliminate SPAN port contention, oversubscription, and configuration errors with full-duplex monitoring, simple installation, and reliable access to your Gigabit Ethernet segments. This TAP faultlessly combines and processes both the TX and RX streams of data into a single data stream allowing any connected monitoring device (analyzer, IDS, probe) to receive a full-duplex stream of data over a USB connection. Ideal for security applications, including link failure propagation for HA designed networks, or anywhere you need non-intrusive dedicated access to your network links for advanced or consolidated monitoring.



Full-Duplex Gigabit Access for complete visibility with a laptop

Monitoring & Analysis

- Full-duplex monitoring for single interface monitoring tools running on a laptop
- Wider range of tools available with USB connection
- Improved visibility into the network - including VLAN tags

Aggregating Data

- Monitor all network traffic from two different sources
- Improve network troubleshooting by viewing both sides of a full-duplex conversation
- Combine both directions of a full-duplex data stream in a single trace file
- Utilize single USB probes for advanced monitoring or hardware reduction

Network Stability

- Fault-tolerant
- Ideal for 24x7 permanent access - Deploy tools or utilize TAP ports immediately without network traffic interruptions or the need for maintenance windows
- Eliminate SPAN port contention, oversubscription, and configuration errors
- Improve overall switch performance by removing port mirror degradation while freeing valuable ports
- Link Failure Propagation for High Availability designed networks ensures instant switch to the secondary link to maintain 100% uptime

Security

- Unidirectional and invisible to other devices on the network making it impossible to access or infiltrate connected monitoring and analysis tools

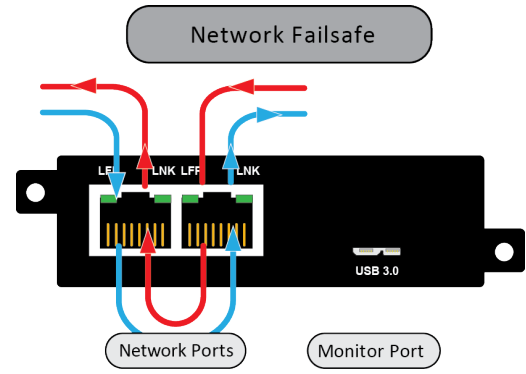
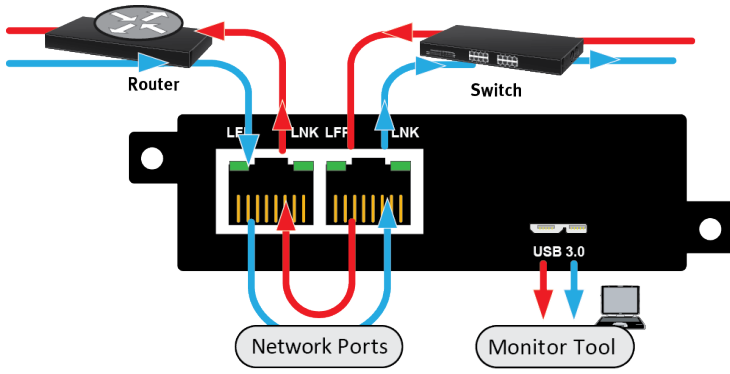
Simple installation

- USB Plug-and-play means simple and fast deployments
- Compatible with most major operating systems: Windows, Linux, and Macintosh
- Auto negotiates settings for 10/100/1000 Mbps network speeds
- Auto-MDI/MDI-X
- Single network break for permanent installation
- Convenient mounting tabs for use with the optional 1U rackmount kit for up to 4 devices

Reliability

- Power over USB 3.0 or VersaPower TAP AC/DC power supply
- Passes PoE (Power over Ethernet)
- Failsafe inline design allows network connectivity in the event of a power failure





MODEL 4524 GIGABIT ETHERNET AGGREGATION TAP (USB)



SPECIFICATIONS & STANDARDS

PHYSICAL

- Metal 1U chassis
- Four LEDs (LFP-A, LNK-A, LFP-B, LNK-B)
- Two RJ45 10/100/1000 Ethernet Network Ports
- One USB 3.0 Micro B Uni-directional Monitor Port
- One Power input - 5.5 x 2.5mm Barrel Socket
- One 8-position DIP switch

POWER REQUIREMENTS (USB OR EXTERNAL POWER SUPPLY)

- Input voltage: 5V DC \pm 5%
- Max. Current: 850mA
- Max. Power Consumption: 4.25 Watts

AC/DC POWER SUPPLY

- Input ratings: 100-240VAC, 50/60HZ, 0.6A
- Blades: US, UK, EU, AU
- Output ratings: 5V DC \pm 5%, 3A 15W min
- Plug Dimension: 2.5mm ID x 5.5mm OD, Center Positive

TRANSFER RATE

- SuperSpeed USB 3.1 Gen 1 (5 Gbps)

ENVIRONMENTAL

- Temperature:
 - Operating Temperature: 0° to 40° C
 - Non-Operating Temperature: -20° to 70° C
- Humidity:
 - 0% to 90% non-condensing

REGULATORY & CERTIFICATIONS

- FCC (Part 15/Class A)
- CE
- UKCA
- Safety STD IEC 62368-1
- CSA STD C22.2
- RoHS 3 Compliant
- WEEE Compliant

PACKAGE DIMENSIONS/WEIGHT

- 10 x 6 x 3 in (25.4 x 15.24 x 7.62 cm)
- 1.05 lbs (.47 kg)

PRODUCT DIMENSIONS/WEIGHT

- 6.5 x 3.90 x 1.15 in (16.5 x 9.9 x 2.9 cm)
- .68 lbs (.31 kg)

PACKAGE CONTENTS

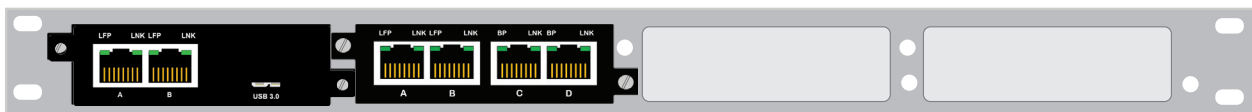
- USR Gigabit Ethernet Aggregation TAP (USB Monitoring) with integrated mounting tabs for use with USR4522-RMK
- 1 AC Power Supply with clips for US, UK, EU, AU
- 1 USB 3.0 Type A to Micro B cable (32 in./81.28 cm)
- 2 Mounting screws
- Information Card

PRODUCT NUMBERS

- USR4524
- USR4520-ACC VersaPower TAP AC Power Supply replacement
- Optional USR4522-RMK 4 Unit 1U TAP Rackmount Chassis

WARRANTY

- 2-year limited manufacturer warranty from date of purchase



USR4522-RMK - 1U Rackmount Chassis holding up to 4 TAPs