



## **ADSL Ethernet Modem**

**Windows and Macintosh**

**Installation Guide  
Guide d'installation  
Guida all'installazione  
Guía de instalación**

Installation Guide	
ADSL Ethernet Modem .....	1
Connecting the ADSL Ethernet Modem .....	2
Verification of Correct Operation .....	3
Troubleshooting .....	4
Regulatory Approvals .....	5
U.S. Robotics Corporation Limited Warranty.....	6
Guide d'installation	
ADSL Ethernet Modem .....	9
Connexion du modem ADSL Ethernet Modem .....	10
Vérification du fonctionnement .....	11
Dépannage .....	12
Approbations homologuées.....	13
Garantie limitée de U.S. Robotics .....	14
Guida all'installazione	
ADSL Ethernet Modem .....	17
Collegamento del modem Ethernet ADSL.....	18
Verifica del corretto funzionamento.....	19
Risoluzione di problemi .....	20
Verifica di conformità .....	21
Garanzia limitata di U.S. Robotics Corporation .....	22
Guía de instalación	
Módem ADSL Ethernet.....	25
Conexión del módem ADSL Ethernet.....	26
Verificación del funcionamiento normal.....	27
Solución de problemas .....	28
Adecuación a normas del sector .....	29
Garantía limitada de U.S. Robotics Corporation .....	30

## ADSL Ethernet Modem

### What You Need to Begin

You must verify that you have the following before you begin:

- A 10/100 Ethernet Network Interface Card (NIC) installed on your computer.
- An active DSL Internet account
- A line filter may be required for each telephone that will share a line with the ADSL modem. Make sure there is no filter installed between the ADSL modem and the phone wall jack. Microfilters may be supplied by your DSL Internet Service Provider.



### Front View

The function of each LED is described below:

The PWR LED will be illuminated when power is applied to the ADSL modem.

The ALM LED will be illuminated when an error occurs.

The LAN LED will be illuminated when there is an Ethernet connection between the ADSL modem and your computer and will be blinking when there is Ethernet traffic.

The DSL LED will be illuminated when there is an ADSL connection between the ADSL modem and the phone wall jack or will be blinking when there is ADSL traffic.

**Note:** All the LEDs will be illuminated for approximately 30 seconds when you power on or reboot the ADSL modem.



### Back View

The PWR jack is the power inlet for the ADSL modem.

The ENET port is used to connect the ADSL modem to the Ethernet port of the Ethernet card in your PC.

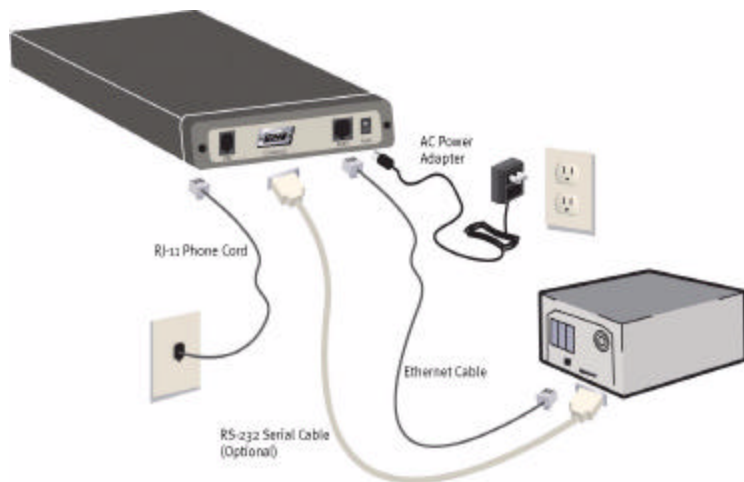
The CONSOLE port is used to connect the ADSL modem to the serial port on your computer for optional configuration.

The DSL port is used to connect the ADSL modem to your phone wall jack.

---

## Connecting the ADSL Ethernet Modem

The following graphic is a representation of your system topology with the ADSL Ethernet Modem.



1

Connect one end of the RJ-11 phone cord to the DSL port on the rear of your ADSL modem. Connect the other end of the RJ-11 phone cord to your wall phone jack.

2

Connect one end of the Ethernet cable to the ENET port on the rear of the ADSL modem. Connect the other end of the Ethernet cable to the Ethernet port on the NIC in your PC.

3

Plug the AC power adapter cord into the PWR jack at the rear of the ADSL modem. Plug the AC power adapter into a standard wall outlet. The ADSL modem is always supplied with power, so there is no power switch to turn on. The PWR LED on the front panel of the ADSL modem will be illuminated if power is being supplied to the modem. If your PC is not on, turn the PC on now.

## Verification of Correct Operation

Use the following procedures to verify the installation and operation of the ADSL modem. Refer to the Troubleshooting section of this guide if any problems occur.

1

Launch an Internet browser on the PC connected to the ADSL modem.

2

Enter a URL of your choice or enter <http://www.usr.com> in your Web browser.

3

Watch the DSL LED on the front of the ADSL modem blink as data is transmitted or received. If the selected Web page comes up in the Internet browser screen, the network connection is successfully established.

After the Installation procedure, some DSL service providers may require that you configure your ADSL Ethernet Modem. Check with your DSL service provider to see if they have pre-configured the ADSL Ethernet Modem or if you will be required to. If you have to perform the configuration, refer to the configuration section of the User Guide on the Installation CD-ROM for the correct instructions. If your service provider has not pre-configured the modem, make sure you have the following information from your service provider:

- WAN Service Setting (PPP over ATM, PPP over Ethernet, RFC 1483 Bridged Mode, or RFC1483 Routed Mode)
- User Name and Password Information
- VPI/VCI Values and Encapsulation mode
- IP Information (DHCP or Static IP address, DNS Server, and Subnet Mask)

The information you need may be slightly different from what is listed above. Be sure to check with your service provider about the exact information you require.

## Troubleshooting

### None of the LEDs are illuminated when the ADSL modem is powered on.

#### Possible Solution:

Check the connection of the AC power adapter to the ADSL modem and to the wall outlet.

### The initialization of the DSL connection failed.

#### Possible Solution:

Make sure that the DSL cable is properly connected in the DSL port on the rear of the ADSL modem and in the phone wall jack in your home. The DSL LED on the front of the ADSL modem should be illuminated.

#### Possible Solution:

Make sure that your VPI, VCI, type of encapsulation, and type of multiplexing settings match the information that was provided by your DSL service provider. Refer to the User Guide for more information.

### I cannot connect to my ISP.

#### Possible Solution:

Check to see if the DSL LED on the front of the ADSL modem is illuminated. If it is not illuminated, make sure that the DSL cable is properly connected in the DSL port on the rear of the ADSL modem and in the phone wall jack in your home.

#### Possible Solution:

Check to see if the LAN LED on the front of the ADSL modem is illuminated. If it is not illuminated, make sure that the Ethernet cable is properly connected in the ENET port on the rear of the ADSL modem and in the Ethernet jack in your computer.

#### Possible Solution:

Make sure that your VPI, VCI, type of encapsulation, and type of multiplexing settings match the information that was provided by your DSL service provider. Refer to the User Guide for more information.

#### Possible Solution:

Verify that you have entered your correct login name and password for your DSL service provider.

#### Possible Solution:

Make sure that your TCP/IP property settings match the information supplied by your service provider. Most service providers require that the computer obtain an IP address directly from the provider using DHCP. On the network configuration control panel, click the **Obtain IP address automatically** button and the **Obtain DNS server address automatically** button.

## Are You Still Having Problems?

1. Call the dealer who sold you this U.S. Robotics product.

The dealer may be able to troubleshoot the problem over the phone or may request that you bring the product back to the store for service.

2. Call the U.S. Robotics Technical Support Department.

Technical questions about U.S. Robotics products can also be answered by technical support specialists.

Country	Voice	Online	Support Hours
China	10800 650 5108	apr_modemsupport@usr.com	9:00am – 5:00pm, M-F
Hong Kong	800 90 3191	hk_modemsupport@usr.com	9:00am – 5:00pm, M-F
India	Delhi - 11 6284198/ 99/ 18/ 19 Hyperbad - 40 6261600/ 01/ 02/ 03 Calcutta - 33 216 1800/ 01 Chennai - 44 851 5273/ 74 Bombay - 22 8252188/ 93/ 94/ 95 Bangalore - 80 2380303/ 04	apr_modemsupport@usr.com apr_modemsupport@usr.com apr_modemsupport@usr.com apr_modemsupport@usr.com apr_modemsupport@usr.com apr_modemsupport@usr.com	9:00am – 5:00pm, M-F 9:00am – 5:00pm, M-F 9:00am – 5:00pm, M-F 9:00am – 5:00pm, M-F 9:00am – 5:00pm, M-F 9:00am – 5:00pm, M-F
Indonesia	001 803 65 7402	apr_modemsupport@usr.com	9:00am – 5:00pm, M-F
Japan	(03) 5495 9408	apr_modemsupport@usr.com	9:00am – 5:00pm, M-F
Korea		apr_modemsupport@usr.com	9:00am – 5:00pm, M-F
Malaysia	1800 80 1554	apr_modemsupport@usr.com	9:00am – 5:00pm, M-F
Philippines	1800 1 651 0215	apr_modemsupport@usr.com	9:00am – 5:00pm, M-F
Singapore	65 784 9910	sg_modemsupport@usr.com	9:00am – 5:00pm, M-F
South Korea	00798 651 7135	apr_modemsupport@usr.com	9:00am – 5:00pm, M-F
Taiwan	0080 65 1349	apr_modemsupport@usr.com	9:00am – 5:00pm, M-F
Thailand	001 800 65 6252	apr_modemsupport@usr.com	9:00am – 5:00pm, M-F
Australia	1 800 628 324	anza_modemsupport@usr.com	9:00am – 5:00pm, M-F
New Zealand	0800 877 43	anza_modemsupport@usr.com	9:00am – 5:00pm, M-F
Austria	07 110 900 116	emea_modemsupport@usr.com	8:00am – 6:00pm, M-F
Belgium (Flemish)	+32 (0) 70 233 545	emea_modemsupport@usr.com	9:00am – 6:00pm, M-F
Belgium (French)	+32 (0) 70 233 546	emea_modemsupport@usr.com	9:00am – 6:00pm, M-F
Denmark	+45 7010 4030	emea_modemsupport@usr.com	9:00am – 5:00pm, M-F
Finland	+358 98 171 0015	emea_modemsupport@usr.com	10:00am – 6:00pm, M-F
France	080 307 0693	france_modemsupport@usr.com	9:00am – 6:00pm, M-F
Germany/Hungary	01805671548	germany_modemsupport@usr.com	8:00am – 6:00pm, M-F
Ireland	+44 870 844 4546	emea_modemsupport@usr.com	9:00am – 6:00pm, M-F
Israel		emea_modemsupport@usr.com	9:00am – 5:30pm, M-F
Italy	848 80 9903	italy_modemsupport@usr.com	9:00am – 6:00pm, M-F
Luxembourg	+352 342 080 8318	emea_modemsupport@usr.com	9:00am – 6:00pm, M-F
Middle East/Africa	+44 870 844 4546	emea_modemsupport@usr.com	9:00am – 6:00pm, M-F
Netherlands	0900 20 25 857	emea_modemsupport@usr.com	9:00am – 6:00pm, M-F
Norway	+47 (0) 23 50 0097	emea_modemsupport@usr.com	9:00am – 5:00pm, M-F
Poland		emea_modemsupport@usr.com	8:00am – 6:00pm, M-F
Portugal	+35 11 415 4034	emea_modemsupport@usr.com	9:00am – 5:00pm, M-F
Spain	902 117 964	spain_modemsupport@usr.com	9:00am – 5:00pm, M-F
Sweden	+46 (0) 851 992 035	emea_modemsupport@usr.com	8:00am – 5:00pm, M-F
Switzerland	+0848 840 200	emea_modemsupport@usr.com	8:00am – 6:00pm, M-F
UK	0870 8444 546	uk_modemsupport@usr.com	9:00am – 5:30pm, M-F

For current support contact information, go to the following Web site:

<http://www.usr.com/>

## Regulatory Approvals

### FCC Declaration of Conformity

We declare under our sole responsibility that the U.S. Robotics ADSL Ethernet Modem to which this declaration relates, is in conformity with the following standards or other normative documents:

ANSI C63.4-1992 Methods of measurement

Federal Communications Commission 47 CFR Part 15, subpartB

15.107 (e) Class B Conducted Limits

15.109 (g) Class B Radiated Emissions Limits

Telecom: (U.S.) FCC Part 68, (Canada) Industry Canada (CS-03)

## U.S. Robotics Corporation Limited Warranty

### FCC Class B Statement

This device complies with Part 15 of the FCC Rules. Operation is subject to the following two conditions:

- 1.this device may not cause harmful electromagnetic interference, and
- 2.this device must accept any interference received including interference that may cause undesired operations.

### Radio and Television Interference

Note: This equipment has been tested and found to comply with the limits for a Class B digital device, pursuant to Part 15 of the FCC Rules. These limits are designed to provide reasonable protection against harmful interference in a residential installation. This equipment generates and uses radio frequency energy and, if not installed and used in accordance with the instructions, may cause interference to radio communications. However, there is no guarantee that interference will not occur in a particular installation. If this equipment does cause interference to radio or television reception, which can be determined by turning the equipment off and on, the user is encouraged to try to correct the interference by one or more of the following measures:

- Reorient or relocate the receiving antenna or cable input device.
- Increase the separation between the equipment and receiver.
- Connect the equipment into an outlet on a circuit different from that to which the receiver is connected.
- Consult the dealer or an experienced radio/TV technician for help.

The user may find the following information prepared by the Federal Communications Commission helpful:

Telephone Interference Bulletin.

This document is available on the Internet through the FCC Consumer Information Bureau Home Page at <http://www.fcc.gov/cib>. Under Consumer Information Directory - Telephone - Miscellaneous Telephone Information, select Interference to Telephones.

Caution: Changes or modifications not expressly approved by the party responsible for compliance could void the user's authority to operate this equipment.

### CSA Certified

This information technology equipment is CSA-Certified for the uses described in the installation guide.

### Canadian notice:

This digital apparatus does not exceed the Class B limits for radio noise emissions from digital apparatus set out in the interference-causing equipment standard entitled Digital Apparatus, ICES-003 of Industry Canada.

Cet appareil numérique respecte les limites de bruits radioélectriques applicables aux appareils numériques de Classe B prescrites dans la norme sur le matériel brouilleur: Appareils Numériques, NMB-003 édictée par l'Industrie Canada.

Your warranty and repair service centre is:

Centre de garantie et de service après vente:

U.S. Robotics

Unit-100 13751 Mayfield Pl.

Richmond, B.C. Canada V6V 2G9

Users should ensure for their own protection that the electrical ground connections of the power utility, telephone lines, and internal metallic water pipe system, if present, are connected together. This precaution may be particularly important in rural areas.

Caution: Users should not attempt to make electrical ground connections by themselves, but should contact the appropriate inspection authority or an electrician, as appropriate.

### CE Declaration of Conformity:

We, U.S. Robotics Corporation of 935 National Parkway, Schaumburg, Illinois, 60173-5157, USA, declare under our sole responsibility that the U.S. Robotics ADSL Ethernet Modem to which this declaration relates, is in conformity with the following standards and/or other normative documents.

EN60950

EN55022

EN55024

EN61000-3-2

EN61000-3-3

We hereby declare that this product is in conformity to all the essential requirements and other relevant provisions of Directive 1995/5/EC. The conformity assessment procedure referred to in Article 10(3) and detailed in Annex II of Directive 1999/5/EC has been followed.

## U.S. Robotics Corporation Limited Warranty

**HARDWARE:** U.S. Robotics warrants to the end user ("Customer") that this hardware product will be free from defects in workmanship and materials, under normal use and service, for the following length of time from the date of purchase from U.S. Robotics or its authorised reseller:

Two (2) years

U.S. Robotics's sole obligation under this express warranty shall be, at U.S. Robotics's option and expense, to repair the defective product or part, deliver to Customer an equivalent product or part to replace the defective item, or if neither of the two foregoing options is reasonably available, U.S. Robotics may, in its sole discretion, refund to Customer the purchase price paid for the defective product. All products that are replaced will become the property of U.S. Robotics. Replacement products may be new or reconditioned. U.S. Robotics warrants any replaced or repaired product or part for ninety (90) days from shipment, or the remainder of the initial warranty period, whichever is longer.

**SOFTWARE:** U.S. Robotics warrants to Customer that each software program licensed from it will perform in substantial conformance to its program specifications, for a period of ninety (90) days from the date of purchase from U.S. Robotics or its authorised reseller. U.S. Robotics warrants the media containing software against failure during the warranty period. No updates are provided. U.S. Robotics's sole obligation under this express warranty shall be, at U.S. Robotics's option and expense, to refund the purchase price paid by Customer for any defective software product, or to replace any defective media with software which substantially conforms to applicable U.S. Robotics published specifications. Customer assumes responsibility for the selection of the appropriate applications program and associated

## U.S. Robotics Corporation Limited Warranty

ated reference materials. U.S. Robotics makes no warranty or representation that its software products will meet Customer's requirements or work in combination with any hardware or applications software products provided by third parties, that the operation of the software products will be uninterrupted or error free, or that all defects in the software products will be corrected. For any third-party products listed in the U.S. Robotics software product documentation or specifications as being compatible, U.S. Robotics will make reasonable efforts to provide compatibility, except where the noncompatibility is caused by a "bug" or defect in the third party's product or from use of the software product not in accordance with U.S. Robotics's published specifications or User Guide.

THIS U.S. ROBOTICS PRODUCT MAY INCLUDE OR BE BUNDLED WITH THIRD-PARTY SOFTWARE, THE USE OF WHICH IS GOVERNED BY A SEPARATE END-USER LICENSE AGREEMENT. THIS U.S. ROBOTICS WARRANTY DOES NOT APPLY TO SUCH THIRD-PARTY SOFTWARE. FOR THE APPLICABLE WARRANTY, PLEASE REFER TO THE END-USER LICENSE AGREEMENT GOVERNING THE USE OF SUCH SOFTWARE.

**OBTAINING WARRANTY SERVICE:** Customer must contact a U.S. Robotics Corporate Service Centre or an Authorised U.S. Robotics Service Centre within the applicable warranty period to obtain warranty service authorisation. Dated proof of purchase from U.S. Robotics or its authorised reseller may be required. Products returned to U.S. Robotics's Corporate Service Centre must be pre-authorised by U.S. Robotics with a Service Repair Order (SRO) number marked on the outside of the package, and sent prepaid and packaged appropriately for safe shipment, and it is recommended that they be insured or sent by a method that provides for tracking of the package. The repaired or replaced item will be shipped to Customer, at U.S. Robotics's expense, not later than thirty (30) days after U.S. Robotics receives the defective product. Return the product to:

In the United States:

USR-Walnut  
528 Spanish Lane  
Walnut, Ca. 91789

In Canada:

U.S. Robotics  
Unit-100, 13751 Mayfield Place  
Richmond, B.C. Canada V6V 2G9

In Europe:

FRS Europe BV.  
Draaibrugweg 2  
1332 AC Almere  
The Netherlands

U.S. Robotics shall not be responsible for any software, firmware, information, or memory data of Customer contained in, stored on, or integrated with any products returned to U.S. Robotics for repair, whether under warranty or not.

**WARRANTIES EXCLUSIVE:** IF A U.S. ROBOTICS PRODUCT DOES NOT OPERATE AS WARRANTED ABOVE, CUSTOMER'S SOLE REMEDY FOR BREACH OF THAT WARRANTY SHALL BE REPAIR, REPLACEMENT, OR REFUND OF THE PURCHASE PRICE PAID, AT U.S. ROBOTICS'S OPTION. TO THE FULL EXTENT ALLOWED BY LAW, THE FOREGOING WARRANTIES AND REMEDIES ARE EXCLUSIVE AND ARE IN LIEU OF ALL OTHER WARRANTIES, TERMS, OR CONDITIONS, EXPRESS OR IMPLIED, EITHER IN FACT OR BY OPERATION OF LAW, STATUTORY OR OTHERWISE, INCLUDING WARRANTIES, TERMS, OR CONDITIONS OF MERCHANTABILITY, FITNESS FOR A PARTICULAR PURPOSE, SATISFACTORY QUALITY, CORRESPONDENCE WITH DESCRIPTION, AND NON-INFRINGEMENT, ALL OF WHICH ARE EXPRESSLY DISCLAIMED. U.S. ROBOTICS NEITHER ASSUMES NOR AUTHORIZES ANY OTHER PERSON TO ASSUME FOR IT ANY OTHER LIABILITY IN CONNECTION WITH THE SALE, INSTALLATION, MAINTENANCE OR USE OF ITS PRODUCTS. U.S. ROBOTICS SHALL NOT BE LIABLE UNDER THIS WARRANTY IF ITS TESTING AND EXAMINATION DISCLOSE THAT THE ALLEGED DEFECT OR MALFUNCTION IN THE PRODUCT DOES NOT EXIST OR WAS CAUSED BY CUSTOMER'S OR ANY THIRD PERSON'S MISUSE, NEGLIGENCE, IMPROPER INSTALLATION OR TESTING, UNAUTHORISED ATTEMPTS TO OPEN, REPAIR OR MODIFY THE PRODUCT, OR ANY OTHER CAUSE BEYOND THE RANGE OF THE INTENDED USE, OR BY ACCIDENT, FIRE, LIGHTNING, OTHER HAZARDS, OR ACTS OF GOD.

**LIMITATION OF LIABILITY:** TO THE FULL EXTENT ALLOWED BY LAW, U.S. ROBOTICS ALSO EXCLUDES FOR ITSELF AND ITS SUPPLIERS ANY LIABILITY, WHETHER BASED IN CONTRACT OR TORT (INCLUDING NEGLIGENCE), FOR INCIDENTAL, CONSEQUENTIAL, INDIRECT, SPECIAL, OR PUNITIVE DAMAGES OF ANY KIND, OR FOR LOSS OF REVENUE OR PROFITS, LOSS OF BUSINESS, LOSS OF INFORMATION OR DATA, OR OTHER FINANCIAL LOSS ARISING OUT OF OR IN CONNECTION WITH THE SALE, INSTALLATION, MAINTENANCE, USE, PERFORMANCE, FAILURE, OR INTERRUPTION OF ITS PRODUCTS, EVEN IF U.S. ROBOTICS OR ITS AUTHORISED RESELLER HAS BEEN ADVISED OF THE POSSIBILITY OF SUCH DAMAGES, AND LIMITS ITS LIABILITY TO REPAIR, REPLACEMENT, OR REFUND OF THE PURCHASE PRICE PAID, AT U.S. ROBOTICS'S OPTION. THIS DISCLAIMER OF LIABILITY FOR DAMAGES WILL NOT BE AFFECTED IF ANY REMEDY PROVIDED HEREIN SHALL FAIL OF ITS ESSENTIAL PURPOSE.

**DISCLAIMER:** Some countries, states, or provinces do not allow the exclusion or limitation of implied warranties or the limitation of incidental or consequential damages for certain products supplied to consumers, or the limitation of liability for personal injury, so the above limitations and exclusions may be limited in their application to you. When the implied warranties are not allowed to be excluded in their entirety, they will be limited to the duration of the applicable written warranty. This warranty gives you specific legal rights which may vary depending on local law.

**GOVERNING LAW:** This Limited Warranty shall be governed by the laws of the State of Illinois, U.S.A. excluding its conflicts of laws principles and excluding the United Nations Convention on Contracts for the International Sale of Goods.

This document contains materials protected by copyright. All rights are reserved. No part of this manual may be reproduced or transmitted

**U.S. Robotics Corporation Limited Warranty**

in any form, by any means or for any purpose without expressed written consent of its authors. Product names appearing in this document are mentioned for identification purposes only. All trademarks, product names or brand names appearing in this document are registered property of their respective owners.

## Modem ADSL Ethernet Modem

### Pour commencer

Avant de commencer, assurez-vous que vous disposez des éléments suivants:

- Une carte d'interface réseau Ethernet 10/100 (NIC) installée sur votre ordinateur.
- Un compte Internet DSL actif.
- Un filtre de ligne peut être nécessaire pour tous les téléphones qui partageront la ligne du modem ADSL. Assurez-vous qu'aucun filtre n'est installé entre le modem ADSL et la prise téléphonique murale. Votre fournisseur d'accès Internet DSL peut vous fournir des microfiltres.



### Avant

La fonction de chaque LED est décrite ci-dessous :

La LED d'alimentation PWR s'allume lorsque le modem ADSL est sous tension.

La LED d'alarme ALM s'allume en cas de problème.

La LED LAN s'allume lorsque le modem ADSL est relié à votre ordinateur par une connexion de type Ethernet. Son clignotement indique un trafic Ethernet.

La LED DSL s'allume lorsque le modem ADSL est relié à la prise téléphonique murale par une connexion de type ADSL. Son clignotement indique un trafic ADSL.

**Remarque** : toutes les LED s'allumeront pendant 30 secondes environ lorsque vous mettrez votre modem ADSL sous tension ou lorsque vous le redémarrerez.



### Arrière

La prise d'alimentation PWR est la prise d'arrivée électrique du modem ADSL.

Le port ENET sert à connecter le modem ADSL au port Ethernet de la carte Ethernet installée sur votre PC.

Le port CONSOLE sert à connecter le modem ADSL au port série de votre ordinateur pour une configuration optionnelle.

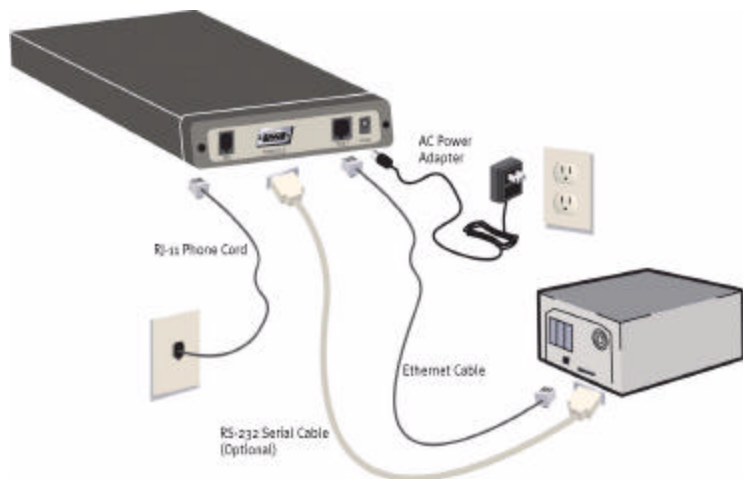
Le port DSL sert à connecter le modem ADSL à la prise téléphonique murale.

---



## Connexion du modem ADSL Ethernet Modem

Le schéma suivant représente la topologie de votre système avec un modem ADSL Ethernet Modem.



# 1

Connectez une extrémité du cordon téléphonique RJ-11 au port DSL situé à l'arrière de votre modem ADSL et l'autre extrémité à la prise téléphonique murale.

# 2

Connectez une extrémité du câble Ethernet au port ENET situé à l'arrière de votre modem ADSL et l'autre extrémité au port Ethernet de la carte NIC installée sur votre ordinateur.

# 3

Branchez une extrémité du cordon de l'adaptateur secteur AC dans la prise d'alimentation PWR située à l'arrière de votre modem ADSL et l'autre extrémité à une prise murale standard. Le modem ADSL est toujours sous tension. Il n'y a donc pas d'interrupteur à activer. La LED d'alimentation PWR située à l'avant du modem ADSL s'allume lorsque le modem est sous tension. Si votre PC n'est pas sous tension, allumez-le maintenant.

## Vérification du fonctionnement

Suivez la procédure indiquée ci-dessous pour vérifier que la configuration et le fonctionnement du modem ADSL sont corrects. En cas de problème, reportez-vous à la section Dépannage de ce manuel.

# 1

Lancez un navigateur Internet sur le PC connecté au modem ADSL.

# 2

Tapez une URL de votre choix ou saisissez <http://www.usr.com> sur votre navigateur Web.

# 3

Assurez-vous que la LED DSL située à l'avant du modem ADSL clignote lors du transfert de données. Si la page Web sélectionnée s'affiche à l'écran, la connexion réseau est établie avec succès.

Après l'installation, il se peut que certains fournisseurs d'accès DSL vous demandent de configurer votre modem ADSL Ethernet Modem. Contactez votre fournisseur d'accès DSL pour savoir si le modem ADSL Ethernet Modem a été préconfiguré ou si vous devez le faire. Si vous devez configurer l'appareil, reportez-vous à la section appropriée du Guide de l'utilisateur sur le CD-ROM d'installation. Si votre fournisseur d'accès n'a pas préconfiguré le modem, assurez-vous qu'il vous indique les informations suivantes:

- Le paramètre de service WAN (mode PPP over ATM, PPP over Ethernet, ponté RFC 1483 ou routé RFC1483)
- Le nom d'utilisateur et les informations concernant le mot de passe
- Les valeurs VPI/VCI et le mode d'encapsulation
- Les informations IP (adresse IP statique ou DHCP, serveur DNS et masque de sous-réseau)

Il se peut que les informations dont vous avez besoin diffèrent légèrement de celles listées ci-dessus. Vérifiez auprès de votre fournisseur d'accès de quelles informations vous avez besoin.

## Dépannage

### Aucune LED ne s'allume lorsque le modem ADSL est sous tension.

#### Solution possible:

Vérifiez la connexion de l'adaptateur AC au modem ADSL et à la prise de courant.

### L'initialisation de la connexion DSL a échoué.

#### Solution possible:

Assurez-vous que le câble DSL est bien connecté au port DSL situé à l'arrière du modem ADSL et à votre prise téléphonique murale. La LED DSL située à l'avant du modem ADSL doit être allumée.

#### Solution possible:

Assurez-vous que votre VPI, votre VCI, votre type d'encapsulation et vos paramètres de multiplexage correspondent aux informations indiquées par votre fournisseur d'accès DSL. Pour plus de détails, consultez le Guide de l'utilisateur.

### La connexion avec mon fournisseur d'accès Internet est impossible.

#### Solution possible:

Vérifiez que la LED DSL située à l'avant du modem ADSL est allumée. Si elle ne l'est pas, assurez-vous que le câble DSL est bien connecté au port DSL situé à l'arrière du modem ADSL et à votre prise téléphonique murale.

#### Solution possible:

Vérifiez que la LED LAN située à l'avant du modem ADSL est allumée. Si elle ne l'est pas, assurez-vous que le câble Ethernet est bien connecté au port ENET situé à l'arrière du modem ADSL et à la prise Ethernet de votre ordinateur.

#### Solution possible:

Assurez-vous que votre VPI, votre VCI, votre type d'encapsulation et vos paramètres de multiplexage correspondent aux informations indiquées par votre fournisseur d'accès DSL. Pour plus de détails, consultez le Guide de l'utilisateur.

#### Solution possible:

Vérifiez que vous avez bien tapé le nom d'utilisateur et le mot de passe correspondant à votre fournisseur d'accès DSL.

#### Solution possible:

Assurez-vous que les paramètres de propriétés TCP/IP correspondent aux informations indiquées par votre fournisseur d'accès. La plupart des fournisseurs d'accès exigent que l'ordinateur obtienne une adresse IP directement à partir du fournisseur via DHCP. Dans le Panneau de configuration, cliquez sur Réseau et sélectionnez les options **Obtenir automatiquement une adresse IP** et **Obtenir automatiquement une adresse de serveur DNS**.

## Vos problèmes ne sont toujours pas résolus ?

1. Appelez le détaillant qui vous a vendu ce produit U.S. Robotics

Il pourra peut-être vous dépanner par téléphone ou vous demander de rapporter le produit au magasin pour le réparer.

2. Appelez le service d'assistance technique de U.S. Robotics.

Nos spécialistes peuvent répondre à toutes les questions techniques concernant les produits U.S. Robotics.

Pays	Téléphone	En ligne	Horaires d'ouverture
Chine	10800 650 5108	apr_modemsupport@usr.com	9h – 17h, lun-ven
Hong Kong	800 90 3191	hk_modemsupport@usr.com	9h – 17h, lun-ven
Inde	Delhi - 11 6284198/ 99/ 18/ 19 Hyderabad - 40 6261600/ 01/ 02/ 03 Calcutta - 33 216 1800/ 01	apr_modemsupport@usr.com	9h – 17h, lun-ven
	Chennai - 44 851 5273/ 74 Bombay - 22 8252188/ 93/ 94/ 95 Bangalore - 80 2380303/ 04	apr_modemsupport@usr.com	9h – 17h, lun-ven
Indonésie	001 803 65 7402	apr_modemsupport@usr.com	9h – 17h, lun-ven
Japon	(03) 5495 9408	apr_modemsupport@usr.com	9h – 17h, lun-ven
Corée		apr_modemsupport@usr.com	9h – 17h, lun-ven
Malaisie	1800 80 1554	apr_modemsupport@usr.com	9h – 17h, lun-ven
Philippines	1800 1 651 0215	apr_modemsupport@usr.com	9h – 17h, lun-ven
Singapour	65 784 9910	sg_modemsupport@usr.com	9h – 17h, lun-ven
Corée du Sud	00798 651 7135	apr_modemsupport@usr.com	9h – 17h, lun-ven
Taiwan	0080 65 1349	apr_modemsupport@usr.com	9h – 17h, lun-ven
Thaïlande	001 800 65 6252	apr_modemsupport@usr.com	9h – 17h, lun-ven
Australie	1 800 628 324	anza_modemsupport@usr.com	9h – 17h, lun-ven
Nouvelle-Zélande	0800 877 43	anza_modemsupport@usr.com	9h – 17h, lun-ven
Autriche	07 110 900 116	emea_modemsupport@usr.com	8h – 18h, lun-ven
Belgique (flamand)	+32 (0) 70 233 545	emea_modemsupport@usr.com	9h – 18h, lun-ven
Belgique (français)	+32 (0) 70 233 546	emea_modemsupport@usr.com	9h – 18h, lun-ven
Danemark	+45 7010 4030	emea_modemsupport@usr.com	9h – 17h, lun-ven
Finlande	+358 98 171 0015	emea_modemsupport@usr.com	10h – 18h, lun-ven
France	080 307 0693	france_modemsupport@usr.com	9h – 18h, lun-ven
Allemagne/Hongrie	01805671548	germany_modemsupport@usr.com	8h – 18h, lun-ven
Irlande	+44 870 844 4546	emea_modemsupport@usr.com	9h – 18h, lun-ven
Israël		emea_modemsupport@usr.com	9h – 17h30, lun-ven
Italie	848 80 9903	italy_modemsupport@usr.com	9h – 18h, lun-ven
Luxembourg	+352 342 080 8318	emea_modemsupport@usr.com	9h – 18h, lun-ven
Moyen-Orient/Afrique	+44 870 844 4546	emea_modemsupport@usr.com	9h – 18h, lun-ven
Pays-Bas	0900 20 25 857	emea_modemsupport@usr.com	9h – 18h, lun-ven
Norvège	+47 (0) 23 50 0097	emea_modemsupport@usr.com	9h – 17h, lun-ven
Pologne		emea_modemsupport@usr.com	8h – 18h, lun-ven
Portugal	+35 11 415 4034	emea_modemsupport@usr.com	9h – 17h, lun-ven
Espagne	902 117 964	spain_modemsupport@usr.com	9h – 17h, lun-ven
Suède	+46 (0) 851 992 035	emea_modemsupport@usr.com	8h – 17h, lun-ven
Suisse	+0848 840 200	emea_modemsupport@usr.com	8h – 18h, lun-ven
Royaume-Uni	0870 8444 546	uk_modemsupport@usr.com	9h – 17h30, lun-ven

Pour obtenir les coordonnées les plus récentes de l'assistance technique, visitez le site Web suivant:  
<http://www.usr.com/>

## Approbations et homologations

### Déclaration de conformité FCC

Nous déclarons (et assumons l'entière responsabilité de cette déclaration) que le modem U.S. Robotics ADSL Ethernet Modem auquel se rapporte la présente déclaration, est conforme aux normes ou autres documents normatifs suivants:

Mesures ANSI C63.4-1992

Fédérale Communications Commission 47 CFR Section 15, Sous-section B

15.107 (e) Limitations sur les émissions par conduction de classe B

15.109 (g) Limitations sur les émissions par radiation de classe B

Télécommunication: (U.S.) FCC Section 68, (Canada) Industrie Canada (CS-03)

### Déclaration FCC Classe B

## Garantie limitée de U.S. Robotics

Ce dispositif est conforme à la Section 15 des règles de la FCC. Son fonctionnement est soumis aux deux conditions suivantes :

1. ce produit ne risque pas de causer d'interférences électromagnétiques nuisibles, et
2. ce produit doit accepter toutes les interférences reçues, y compris celles qui risquent d'entraîner un fonctionnement indésirable.

### Interférences radiophoniques et télévisuelles

Remarque: ce produit a été testé et déclaré conforme aux limitations relatives à un appareil numérique de classe B, en vertu de la Section 15 des règles de la FCC. Ces limitations visent à assurer une protection raisonnable contre les interférences dans le cadre d'une installation résidentielle. Cet équipement génère et utilise de l'énergie de fréquence radio et risque, s'il n'est pas installé et utilisé correctement, de provoquer des interférences de communications radiophoniques. Il n'y a toutefois aucune garantie qu'il ne se produira pas d'interférences dans une installation particulière. Si cet appareil brouille la réception radiophonique ou télévisuelle, ce qu'on peut déterminer en éteignant puis en rallumant l'appareil, nous encourageons l'utilisateur à essayer de corriger le problème en prenant une ou plusieurs des mesures suivantes:

- Réorienter ou déplacer l'antenne de réception ou l'appareil à l'entrée du câble.
- Augmenter la distance entre l'équipement et le récepteur.
- Brancher l'équipement à une prise de courant faisant partie d'un autre circuit que celui sur lequel est branché le récepteur.
- Consulter le fournisseur ou un technicien d'expérience en radio/télévision afin d'obtenir de l'assistance.

Vous trouverez également des informations utiles de la Commission Fédérale des Communications dans : le bulletin des interférences téléphoniques.

Ce document est disponible sur Internet à l'adresse: <http://www.fcc.gov/cib>. Sous Consumer Information Directory - Telephone - Miscellaneous Telephone Information, sélectionnez Interference to Telephones.

Attention: tout changement ou modification non expressément approuvée par la partie responsable de la conformité pourrait annuler l'autorisation accordée à l'utilisateur d'utiliser cet équipement.

### Certification de l'association canadienne de normalisation (CSA)

Cet équipement informatique a obtenu la certification du CSA pour les utilisations décrites dans ce guide d'installation.

#### Avis aux utilisateurs canadiens:

Cet appareil numérique n'exécède pas les limitations de Classe B établies pour les émissions de bruits radioélectriques en provenance des dispositifs numériques. Ces limitations sont exposées dans la norme sur l'équipement brouilleur intitulée Appareils numériques, ICES-003 d'Industrie Canada.

Cet appareil numérique respecte les limites de bruits radioélectriques applicables aux appareils numériques de Classe B prescrites dans la norme sur le matériel brouilleur: Appareils Numériques, NMB-003 édictée par l'Industrie Canada.

Centre de garantie et de service après-vente :

U.S. Robotics  
Unit-100 13751 Mayfield Pl.  
Richmond, B.C. Canada V6V 2G9

Pour sa propre sécurité, l'utilisateur doit s'assurer que tous les fils de mise à la terre de la source d'énergie électrique, de lignes téléphoniques et des canalisations d'eau métalliques, s'il y en a, sont raccordés ensemble. Cette précaution est particulièrement importante dans les régions rurales.

Attention : l'utilisateur ne doit pas tenter de faire ces mises à terre lui-même; il doit avoir recours à un service d'inspection approprié ou à un électricien, selon le cas.

## Déclaration de conformité CE :

Nous, U.S. Robotics Corporation, sis au 935 National Parkway, Schaumburg, Illinois, 60173-5157, Etats-Unis, déclarons (et assumons l'entière responsabilité de cette déclaration) que le modem ADSL Ethernet Modem de U.S. Robotics auquel se rapporte la présente déclaration, est conforme aux normes ou autres documents normatifs suivants:

EN60950  
EN55022  
EN55024  
EN61000-3-2  
EN61000-3-3

Nous déclarons que ce produit est conforme aux spécifications essentielles et autres dispositions de la Directive 1995/5/EC. Nous avons respecté la procédure d'établissement de conformité visée à l'article 10(3) et détaillée en annexe II de la Directive 1999/5/EC.

## Garantie limitée de U.S. Robotics

MATERIEL: U.S. Robotics garantit à l'utilisateur final («le client») que ce produit est dénué de défauts et vices de fabrication, dans des conditions normales d'utilisation et d'exploitation, pour la durée suivante à compter de la date d'achat auprès de U.S. Robotics ou d'un revendeur agréé:

Deux (2) ans

La seule obligation de U.S. Robotics aux termes de la présente garantie explicite est, à la discrétion et aux frais de U.S. Robotics, de réparer le produit ou la pièce défectueuse, de livrer au client une pièce ou un produit équivalent pour remplacer l'élément défectueux ou, si aucune des deux options précédentes n'est applicable, U.S. Robotics peut, à sa seule discrétion, rembourser au client le prix acquitté pour le produit défectueux. Tous les produits remplacés deviendront la propriété de U.S. Robotics. Les produits de substitution peuvent être neufs ou à l'état neuf. U.S. Robotics garantit toute pièce et tout produit réparé ou remplacé pendant quatre-vingt-dix (90) jours à compter de la date d'envoi ou pendant le reste de la période de garantie initiale, selon la période la plus longue.

LOGICIEL: U.S. Robotics garantit au client que les logiciels sous licence fonctionneront conformément aux spécifications du programme correspondant, pour une période de quatre-vingt-dix (90) jours à compter de la date d'achat auprès de U.S. Robotics ou d'un revendeur agréé. U.S. Robotics garantit que les supports contenant le logiciel sont exempts de tout défaut durant la période de garantie. Aucune mise à jour ne sera fournie. La seule obligation de U.S. Robotics aux termes de la présente garantie explicite est, à la discrétion et aux frais de U.S. Robotics, de rembourser le prix acquitté par le client pour le produit défectueux, ou de le remplacer par un logiciel conforme aux spécifications publiées par U.S. Robotics. Le client est responsable du choix du programme approprié et de la

## Garantie limitée de U.S. Robotics

documentation associée. U.S. Robotics ne garantit ni ne déclare que ses logiciels correspondront aux besoins des clients ou fonctionneront avec du matériel ou des logiciels fournis par des tiers, que le fonctionnement des logiciels sera ininterrompu et sans erreur et que tous les défauts présents dans les logiciels seront corrigés. Pour les produits de tiers répertoriés dans la documentation ou dans les spécifications du logiciel U.S. Robotics comme étant compatibles, U.S. Robotics fera le maximum pour que cette compatibilité soit effective, sauf si l'incompatibilité est due à un «bug», à un défaut du produit tiers ou à une utilisation du logiciel non conforme aux spécifications publiées par U.S. Robotics ou dans le Guide de l'utilisateur.

IL EST POSSIBLE QUE CE PRODUIT U.S. ROBOTICS COMPRENNE UN LOGICIEL DE TIERS OU SOIT LIVRE AVEC UN TEL LOGICIEL, DONT L'UTILISATION EST REGIE PAR UN ACCORD DE LICENCE UTILISATEUR SEPARÉ. LA PRESENTE GARANTIE DONNEE PAR U.S. ROBOTICS NE COUVRE PAS LES LOGICIELS DE TIERS MENTIONNES PLUS HAUT. POUR LA GARANTIE APPLICABLE, VEUILLEZ VOUS REPORTER A L'ACCORD DE LICENCE UTILISATEUR CORRESPONDANT A CES LOGICIELS.

POUR OBTENIR UN SERVICE DE GARANTIE: le client doit contacter un centre d'assistance U.S. Robotics ou un centre d'assistance agréé par U.S. Robotics pendant la période de garantie applicable afin d'obtenir une autorisation de service de garantie. Une preuve d'achat datée de U.S. Robotics ou d'un revendeur agréé peut vous être demandée. Les produits renvoyés au centre d'assistance U.S. Robotics doivent être accompagnés d'une autorisation préalable de U.S. Robotics et d'un numéro de SRO (Service Repair Order) clairement indiqué sur le colis ; ce dernier doit être envoyé port payé et dûment emballé. Nous vous recommandons de l'assurer ou d'employer une méthode vous permettant d'effectuer un suivi du colis. L'article remplacé ou réparé sera renvoyé au client, aux frais de U.S. Robotics, au plus tard trente (30) jours après la date de réception par U.S. Robotics du produit défectueux. Renvoyez le produit à:

Aux Etats-Unis :  
USR-Walnut  
528 Spanish Lane  
Walnut, Ca. 91789

Au Canada :  
U.S. Robotics  
Unit-100, 13751 Mayfield Place  
Richmond, B.C. Canada V6V 2G9

En Europe:  
FRS Europe BV.  
Draaibrugweg 2  
1332 AC Almere  
Pays-Bas

U.S. Robotics ne saurait être responsable des données logicielles ou micrologicielles, des informations ou des données du client contenues, stockées ou intégrées dans le produit renvoyé à U.S. Robotics pour réparation, que le produit soit sous garantie ou non.

GARANTIES EXCLUSIVES: SI UN PRODUIT U.S. ROBOTICS NE FONCTIONNE PAS COMME L'INDIQUE LA GARANTIE, LE SEUL RECOURS PROPOSE AU CLIENT EN CAS DE RUPTURE DE GARANTIE EST LA REPARATION, LE REMPLACEMENT DU PRODUIT OU LE REMBOURSEMENT DU PRIX ACQUITTE, A LA DISCRETION DE U.S. ROBOTICS. DANS LA MESURE OU LA LOI LE PERMET, LES GARANTIES ET LES RECOURS PRECEDEMMENT CITES SONT EXCLUSIFS ET REMPLACENT LES AUTRES GARANTIES, TERMES OU CONDITIONS, EXPLICITES OU IMPLICITES, DE FACTO OU DE JURE, STATUTAIRES OU AUTRES, NOTAMMENT LES GARANTIES, TERMES OU CONDITIONS DE COMMERCIALISATION, D'ADAPTATION A UN USAGE PARTICULIER, DE QUALITE SATISFAISANTE, DE CORRESPONDANCE A LA DESCRIPTION FOURNIE ET DE NON-INFRACTION, QUI SONT TOUTS EXPRESSEMENT REJETES. U.S. ROBOTICS N'ASSUME NI N'AUTORISE AUCUNE PERSONNE A ASSUMER EN SON NOM TOUTE AUTRE RESPONSABILITE EN RAPPORT AVEC LA VENTE, L'INSTALLATION, L'ENTRETIEN OU L'UTILISATION DE SES PRODUITS. U.S. ROBOTICS NE SAURAIT ETRE TENU POUR RESPONSABLE AUX TERMES DE LA PRESENTE GARANTIE SI LE TEST OU L'EXAMEN DU PRODUIT REVELE QUE LE DEFAUT OU LE DYSFONCTIONNEMENT EN QUESTION N'EXISTE PAS OU A ETE PROVOQUE PAR UNE MAUVAISE UTILISATION, UNE NEGLIGENCE, UNE MAUVAISE INSTALLATION, UN TEST INAPPROPRIE, DES TENTATIVES NON AUTORISEES D'OUVRIRE, REPARER OU MODIFIER LE PRODUIT DE LA PART DU CLIENT OU DE TOUTE AUTRE PERSONNE. IL EN VA DE MEME POUR TOUT DOMMAGE PROVOQUE PAR UN USAGE NE REPENDANT PAS AUX UTILISATIONS PREVUES, OU RESULTANT D'UN ACCIDENT, D'UN INCENDIE, DE LA Foudre ET AUTRES CATASTROPHES NATURELLES.

LIMITATION DE RESPONSABILITE: DANS LA MESURE OU LA LOI LE PERMET, U.S. ROBOTICS REJETTE, AU NOM DE LA SOCIETE ET DE SES FOURNISSEURS, TOUTE RESPONSABILITE, CONTRACTUELLE OU DE DROIT CIVIL (Y COMPRIS LA NEGLIGENCE), POUR LES DOMMAGES ACCESSOIRES, INDIRECTS, PARTICULIERS OU PUNITIFS DE QUELQUE NATURE QUE CE SOIT, AINSI QUE TOUTE RESPONSABILITE DECOULANT DE TOUT MANQUE A GAGNER, PERTE D'ACTIVITE, PERTE D'INFORMATIONS OU DE DONNEES OU AUTRE PERTE FINANCIERE RESULTANT DE OU LIEE A LA VENTE, L'INSTALLATION, L'ENTRETIEN, L'UTILISATION, LES PERFORMANCES, LA PANNE OU L'INTERRUPTION DE FONCTIONNEMENT DE SES PRODUITS, MEME SI U.S. ROBOTICS OU SES REVENDEURS AGRES ONT ETE INFORMES DE L'EVENTUALITE DE TELS DOMMAGES. U.S. ROBOTICS LIMITE SA RESPONSABILITE A LA REPARATION, AU REMPLACEMENT OU AU REMBOURSEMENT DU PRIX ACQUITTE, A SA DISCRETION. CETTE LIMITATION DE RESPONSABILITE LIEE AUX DOMMAGES RESTERA INCHANGE MEME SI LES SOLUTIONS PROPOSEES DANS LA PRESENTE S'AVERENT INEFFICACES.

REJET DE RESPONSABILITE: certains pays, états ou provinces n'autorisent pas l'exclusion ou la limitation des garanties implicites ou la limitation de responsabilité quant aux dommages accessoires ou indirects pour certains produits fournis aux clients, ou encore la limitation de responsabilité en cas de blessure, de sorte que les limitations et exclusions énoncées ci-dessus peuvent ne pas s'appliquer à vous. Lorsque les garanties implicites ne peuvent pas être exclues dans leur intégralité, elles seront limitées à la durée de la garantie écrite applicable. La présente garantie vous confère des droits juridiques spécifiques qui peuvent varier en fonction du droit local.

### **Garantie limitée de U.S. Robotics**

LOI APPLICABLE: la présente garantie limitée est régie par la législation de l'état de l'Illinois, Etats-Unis, à l'exception de ses conflits de principes de droit et à l'exception de la convention de l'ONU sur les contrats pour la vente internationale de biens.

Ce document contient des informations protégées par des copyrights. Tous droits réservés. La reproduction ou la transmission totale ou partielle de ce manuel sous quelque forme et par quelque moyen que se soient est interdite, à moins que ses auteurs n'y consentent par écrit. Les noms de produits figurant dans ce document sont utilisés à des fins d'identification seulement. Les marques, les noms de produits et les noms commerciaux figurant dans ce document sont la propriété déposée de leurs détenteurs respectifs.

## ADSL Ethernet Modem

### Elementi necessari per iniziare

Verificare la disponibilità dei seguenti componenti prima di iniziare:

- Scheda di interfaccia di rete Ethernet (NIC) 10/100 installata sul computer
- Account Internet DSL attivo
- Potrebbe essere necessario un filtro per ciascun telefono collegato al modem ADSL. Accertarsi che non vi siano filtri installati tra il modem ADSL e la presa presa telefonica a muro. I microfiltri possono essere forniti dal provider di servizi Internet DSL.



### Visuale frontale

Di seguito viene descritta la funzione di ciascun LED:

Il LED PWR si illumina quando il modem ADSL riceve alimentazione.

Il LED ALM si illumina quando si verifica un errore.

Il LED LAN si illumina quando è attiva una connessione Ethernet tra il modem ADSL e il computer e lampeggia in presenza di traffico sulla linea Ethernet.

Il LED DSL si illumina quando è attiva una connessione ADSL tra il modem ADSL e la presa telefonica a muro e lampeggia in presenza di traffico sulla linea ADSL.

**Nota:** all'accensione o al riavvio del modem ADSL tutti i LED si illuminano per circa 30 secondi.



### Visuale posteriore

Il jack PWR è la presa per il cavo di alimentazione del modem ADSL.

La porta ENET è utilizzata per collegare il modem ADSL alla porta della scheda Ethernet del PC.

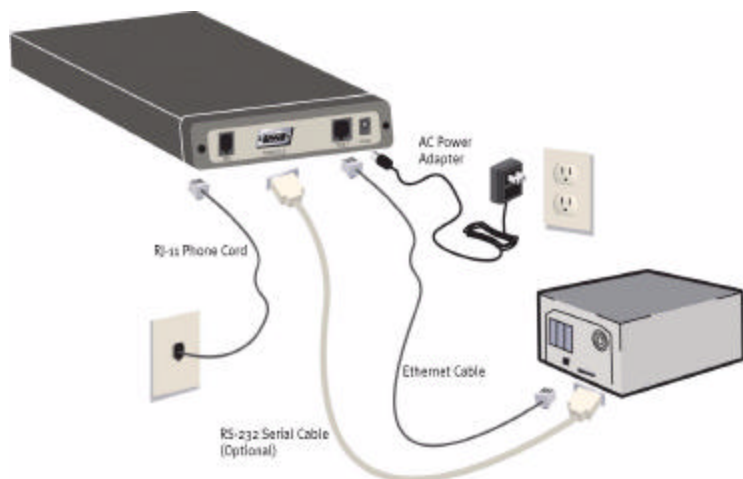
La porta CONSOLE è utilizzata per connettere il modem ADSL alla porta seriale sul computer per una configurazione opzionale.

La porta DSL è utilizzata per collegare il modem ADSL alla presa telefonica a muro.

---

## Collegamento del modem Ethernet ADSL

La seguente illustrazione rappresenta la topologia del sistema dopo l'installazione del modem Ethernet ADSL.



# 1

Collegare un'estremità del cavo telefonico RJ-11 alla porta DSL sul retro del modem ADSL e l'altra estremità alla presa telefonica a muro.

# 2

Collegare un'estremità del cavo Ethernet alla porta ENET sul retro del modem ADSL e l'altra estremità alla porta Ethernet sulla scheda NIC del computer.

# 3

Collegare un'estremità dell'adattatore CA al connettore PWR sul retro del modem ADSL e l'altra in una presa di corrente standard. Sul modem ADSL non è presente alcun interruttore di alimentazione in quanto il modem è continuamente alimentato. Se il modem riceve alimentazione, il LED PWR sul pannello anteriore del modem ADSL si illumina. Accendere il PC se non è già acceso.

## Verifica del corretto funzionamento

Seguire la procedura descritta di seguito per verificare l'installazione e il funzionamento del modem ADSL. Se si verificano problemi, fare riferimento alla sezione Risoluzione di problemi in questa guida.

# 1

Avviare il browser Internet sul PC connesso al modem ADSL.

# 2

Immettere un URL a scelta, ad esempio <http://www.usr.com>.

# 3

Verificare che il LED DSL sulla parte anteriore del modem ADSL lampeggi durante la trasmissione o la ricezione di dati. Se la pagina Web scelta viene visualizzata nello schermo del browser Internet, la connessione di rete è stata stabilita.

Al termine della procedura di installazione, il provider di servizi DSL potrebbe richiedere la configurazione del modem Ethernet ADSL. Verificare con il provider di servizi DSL se il modem Ethernet ADSL è stato preconfigurato o se è necessario configurarlo. In quest'ultimo caso, consultare la sezione relativa alla configurazione contenuta nella Guida Utente sul CD di installazione. Se il modem non è preconfigurato, richiedere al provider di servizi le seguenti informazioni:

- Impostazione del servizio WAN (PPP su ATM, PPP su Ethernet, modalità RFC 1483 Bridged o modalità RFC1483 Routed)
- Nome utente e password
- Valori VPI/VCI e modalità di incapsulamento
- Informazioni IP (DHCP o indirizzo IP statico, server DNS e subnet mask)

Le informazioni necessarie potrebbero differire leggermente da quelle riportate sopra. Verificare con il provider di servizi le corrette informazioni necessarie.

## Risoluzione di problemi

### I LED non si illuminano quando il modem ADSL è acceso.

#### Soluzione possibile

Verificare il collegamento dell'adattatore CA al modem ADSL e alla presa.

### L'inizializzazione della connessione DSL ha avuto esito negativo.

#### Soluzione possibile

Verificare che il cavo DSL sia collegato correttamente alla porta DSL sul retro del modem ADSL e alla presa telefonica a muro. Il LED DSL sulla parte anteriore del modem ADSL dovrebbe essere illuminato.

#### Soluzione possibile

Verificare che le impostazioni VPI e VCI, il tipo di incapsulamento e il tipo di moltiplicazione corrispondano alle informazioni fornite dal provider del servizio DSL. Per ulteriori informazioni, consultare la Guida Utente.

### Non è possibile stabilire una connessione con il provider di servizi Internet (ISP).

#### Soluzione possibile

Verificare che il LED DSL nella parte anteriore del modem ADSL si illumina. Se il LED non si illumina, accertarsi che il cavo DSL sia collegato correttamente alla porta DSL nella parte posteriore del modem ADSL e alla presa a telefonica a muro..

#### Soluzione possibile

Verificare che il LED LAN nella parte anteriore del modem ADSL si illumina. Se il LED non si illumina, accertarsi che il cavo Ethernet sia collegato correttamente alla porta ENET nella parte posteriore del modem ADSL e al jack Ethernet del computer.

#### Soluzione possibile

Verificare che le impostazioni VPI e VCI, il tipo di incapsulamento e il tipo di moltiplicazione corrispondano alle informazioni fornite dal provider del servizio DSL. Per ulteriori informazioni, consultare la Guida Utente.

#### Soluzione possibile

Verificare che siano stati inseriti il nome di accesso e la password corretti per il provider di servizi DSL.

#### Soluzione possibile

Verificare che le impostazioni delle proprietà TCP/IP corrispondano alle informazioni fornite dal provider dei servizi. La maggior parte dei provider richiedono che il computer ottenga un indirizzo IP direttamente dal provider usando un protocollo DHCP (Dynamic Host Configuration Protocol). Sul pannello di controllo della configurazione di rete, fare clic sui pulsanti **Ottieni automaticamente un indirizzo IP** e **Ottieni indirizzo server DNS automaticamente**.

## Si continuano a riscontrare dei problemi di funzionamento?

1. Rivolgersi al rivenditore presso il quale il prodotto U.S. Robotics è stato acquistato.

Per informazioni aggiornate su come contattare l'assistenza tecnica, visitare il sito Web:

2. Rivolgersi al reparto di assistenza tecnica U.S. Robotics.

Gli specialisti addetti all'assistenza sono in grado di rispondere a quesiti di natura tecnica circa i prodotti U.S. Robotics.

Paese	Telefono	Online	Orario
Cina	10800 650 5108	apr_modemsupport@usr.com	9:00 – 17:00, lun-ven
Hong Kong	800 90 3191	hk_modemsupport@usr.com	9:00 – 17:00, lun-ven
India	Delhi - 11 6284198/ 99/ 18/ 19 Hyperbad - 40 6261600/ 01/ 02/ 03 Calcutta - 33 216 1800/ 01 Chennai - 44 851 5273/ 74 Bombay - 22 8252188/ 93/ 94/ 95 Bangalore - 80 2380303/ 04	apr_modemsupport@usr.com apr_modemsupport@usr.com apr_modemsupport@usr.com apr_modemsupport@usr.com apr_modemsupport@usr.com apr_modemsupport@usr.com	9:00 – 17:00, lun-ven 9:00 – 17:00, lun-ven 9:00 – 17:00, lun-ven 9:00 – 17:00, lun-ven 9:00 – 17:00, lun-ven 9:00 – 17:00, lun-ven
Indonesia	001 803 65 7402	apr_modemsupport@usr.com	9:00 – 17:00, lun-ven
Giappone	(03) 5495 9408	apr_modemsupport@usr.com	9:00 – 17:00, lun-ven
Corea		apr_modemsupport@usr.com	9:00 – 17:00, lun-ven
Malaysia	1800 80 1554	apr_modemsupport@usr.com	9:00 – 17:00, lun-ven
Filippine	1800 1 651 0215	apr_modemsupport@usr.com	9:00 – 17:00, lun-ven
Singapore	65 784 9910	sg_modemsupport@usr.com	9:00 – 17:00, lun-ven
Corea del Sud	00798 651 7135	apr_modemsupport@usr.com	9:00 – 17:00, lun-ven
Taiwan	0080 65 1349	apr_modemsupport@usr.com	9:00 – 17:00, lun-ven
Thailandia	001 800 65 6252	apr_modemsupport@usr.com	9:00 – 17:00, lun-ven
Australia	1 800 628 324	anza_modemsupport@usr.com	9:00 – 17:00, lun-ven
Nuova Zelanda	0800 877 43	anza_modemsupport@usr.com	9:00 – 17:00, lun-ven
Austria	07 110 900 116	emea_modemsupport@usr.com	8:00 – 18:00, lun-ven
Belgio (area fiamminga)	+32 (0) 70 233 545	emea_modemsupport@usr.com	9:00 – 18:00, lun-ven
Belgio (area francese)	+32 (0) 70 233 546	emea_modemsupport@usr.com	9:00 – 18:00, lun-ven
Danimarca	+45 7010 4030	emea_modemsupport@usr.com	9:00 – 17:00, lun-ven
Finlandia	+358 98 171 0015	emea_modemsupport@usr.com	10:00 – 18:00, lun-ven
Francia	080 307 0693	france_modemsupport@usr.com	9:00 – 18:00, lun-ven
Germania/Ungheria	01805671548	germany_modemsupport@usr.com	8:00 – 18:00, lun-ven
Irlanda	+44 870 844 4546	emea_modemsupport@usr.com	9:00 – 18:00, lun-ven
Israele		emea_modemsupport@usr.com	9:00 – 17:30, lun-ven
Italia	848 80 9903	italy_modemsupport@usr.com	9:00 – 18:00, lun-ven
Lussemburgo	+352 342 080 8318	emea_modemsupport@usr.com	9:00 – 18:00, lun-ven
Medio Oriente/Africa	+44 870 844 4546	emea_modemsupport@usr.com	9:00 – 18:00, lun-ven
Paesi Bassi	0900 20 25 857	emea_modemsupport@usr.com	9:00 – 18:00, lun-ven
Norvegia	+47 (0) 23 50 0097	emea_modemsupport@usr.com	9:00 – 17:00, lun-ven
Polonia		emea_modemsupport@usr.com	8:00 – 18:00, lun-ven
Portogallo	+35 11 415 4034	emea_modemsupport@usr.com	9:00 – 17:00, lun-ven
Spagna	902 117 964	spain_modemsupport@usr.com	9:00 – 17:00, lun-ven
Svezia	+46 (0) 851 992 035	emea_modemsupport@usr.com	8:00 – 17:00, lun-ven
Svizzera	+0848 840 200	emea_modemsupport@usr.com	8:00 – 18:00, lun-ven
Regno Unito	0870 8444 546	uk_modemsupport@usr.com	9:00 – 17:30, lun-ven

Per informazioni aggiornate su come contattare l'assistenza tecnica, visitare il sito Web:

<http://www.usr.com/>

## Verifica di conformità

### Dichiarazione di conformità FCC

Si dichiara che il prodotto U.S. Robotics ADSL Ethernet Modem a cui si riferisce questa dichiarazione è conforme ai seguenti standard o ad altra documentazione normativa rilevante:

Metodi di misurazione ANSI C63.4-1992

Federal Communications Commission 47 CFR Parte 15, Sottosezione B

15.107 (e) Class B Conducted Limits

15.109 (g) Class B Radiated Emissions Limits

Telecom: (U.S.) FCC Part 68, (Canada) Industry Canada (CS-03)

### Dichiarazione FCC Classe B

Questo dispositivo è conforme a quanto espresso dalla Parte 15 della normativa FCC. L'utilizzo è soggetto alle due condizioni seguenti:

## Verifica di conformità

1. questo dispositivo non deve causare interferenze elettromagnetiche nocive.
2. l'apparecchio deve accettare qualsiasi interferenza ricevuta, comprese le interferenze che possono causare operazioni indesiderate.

## Garanzia limitata di U.S. Robotics Corporation

### Interferenza con apparecchi radiotelevisivi

Questo prodotto è stato testato ed è risultato conforme ai limiti per i dispositivi digitali di classe B, secondo le specifiche della parte 15 delle normative FCC, che garantiscono un'adeguata protezione contro interferenze di questo tipo in installazioni domestiche. Questo prodotto genera ed utilizza energia a radiofrequenza: se non viene installato e utilizzato in conformità con le istruzioni, può dare luogo ad interferenze nella ricezione degli apparecchi radiotelevisivi. È tuttavia impossibile garantire la totale assenza di interferenze. Qualora l'apparecchiatura dovesse provocare interferenze nella ricezione radiotelevisiva, cosa verificabile spegnendo e riaccendendo l'apparecchio, si consiglia di eliminare l'interferenza in uno dei seguenti modi:

- Riorientare o riposizionare l'antenna ricevente o il dispositivo di input del cavo.
- Aumentare la distanza che separa l'apparecchiatura dal ricevitore.
- Collegare l'apparecchio ad una presa di un circuito diverso da quello a cui si è collegato il ricevitore.
- Rivolgersi al rivenditore o ad un tecnico esperto.

Può essere utile consultare le informazioni fornite dalla Federal Communications Commission, ossia il documento Telephone Interference Bulletin disponibile su Internet visitando la home page dell'FCC Consumer Information Bureau all'indirizzo <http://www.fcc.gov/cib>. In Consumer Information Directory (Directory informazioni clienti) - Telephone (Telefono) - Miscellaneous Telephone Information (Informazioni telefoniche varie), selezionare Interference to Telephones (Interferenze telefoniche). Eventuali modifiche o cambiamenti non espressamente approvati dalla parte responsabile della conformità potrebbero invalidare il diritto dell'utente di utilizzare il prodotto.

### Certificazione CSA

Questo apparecchio informatico è conforme alla certificazione CSA per gli usi descritti nella Guida per l'installazione.

### Dichiarazione di conformità nell'UE:

U.S. Robotics Corporation (935 National Parkway, Schaumburg, Illinois, 60173-5157, USA) dichiara sotto la propria responsabilità che U.S. Robotics ADSL Ethernet Modem, a cui si riferisce questa dichiarazione, è conforme ai seguenti standard o ad altra documentazione normativa rilevante:

EN60950  
EN55022  
EN55024  
EN61000-3-2  
EN61000-3-3

Si dichiara che questo prodotto è conforme ai requisiti essenziali e ad altre norme rilevanti della direttiva europea 1995/5/EC. È stata seguita la procedura di accertamento di conformità citata nell'Articolo 10(3) e descritta nell'Allegato II della direttiva 1995/5/EC.

## Garanzia limitata di U.S. Robotics Corporation

**HARDWARE:** U.S. Robotics garantisce all'utente finale ("Cliente") che questo prodotto hardware è esente da difetti di fabbricazione e materiali, in normali condizioni di uso e servizio, per il seguente periodo di tempo a partire dalla data di acquisto presso U.S. Robotics o un rivenditore autorizzato:

due (2) anni

Nel rispetto dei termini della presente garanzia espressa, U.S. Robotics si impegna, a propria discrezione e a proprie spese, a riparare il prodotto o componente difettoso, a fornire al Cliente un prodotto o componente equivalente in sostituzione dell'articolo difettoso, oppure, qualora le due suddette opzioni non siano possibili, a rimborsare al Cliente il prezzo di acquisto pagato per il prodotto difettoso. Tutti i prodotti sostituiti diventano di proprietà di U.S. Robotics. I prodotti sostitutivi possono essere nuovi o revisionati. U.S. Robotics garantisce qualsiasi prodotto o componente sostituito o riparato per novanta (90) giorni a partire dalla data di consegna o per il periodo di garanzia iniziale residuo, se superiore a 90 giorni.

**SOFTWARE:** U.S. Robotics garantisce che i programmi software concessi in licenza funzioneranno in conformità con le relative specifiche per un periodo di novanta (90) giorni a partire dalla data di acquisto presso U.S. Robotics o un rivenditore autorizzato. U.S. Robotics garantisce i supporti contenenti il software contro eventuali danneggiamenti durante il periodo di garanzia. Non sono previsti aggiornamenti. L'unico obbligo di U.S. Robotics secondo i termini della presente garanzia espressa prevede (a discrezione di U.S. Robotics) il rimborso del prezzo di acquisto pagato dal Cliente per qualsiasi prodotto software difettoso o la sostituzione di eventuali supporti difettosi con software sostanzialmente conforme alle specifiche pubblicate da U.S. Robotics. Il Cliente è responsabile della scelta dei programmi applicativi adeguati e del relativo materiale di riferimento. U.S. Robotics non garantisce né afferma che il software sarà rispondente alle necessità del Cliente o funzionerà in combinazione con qualsiasi prodotto hardware o software applicativo di altre case, né che il funzionamento del software sarà ininterrotto ed esente da errori o che tutti i difetti dei prodotti software verranno corretti. Per tutti i prodotti di altre case indicati come compatibili nella documentazione o nelle specifiche dei prodotti software, U.S. Robotics farà quanto possibile per garantire la compatibilità, fatta eccezione per i casi in cui l'incompatibilità sia dovuta a un "difetto" del prodotto di un'altra casa o per i casi in cui il software non sia stato utilizzato in conformità alla Guida Utente o alle specifiche pubblicate da U.S. Robotics.

QUESTO PRODOTTO U.S. ROBOTICS PUÒ INCLUDERE SOFTWARE DI TERZI OPPURE ESSERVI ALLEGATO; L'USO DI TALI SOFTWARE È REGOLATO DA UN DISTINTO CONTRATTO DI LICENZA PER L'UTENTE FINALE. LA PRESENTE GARANZIA U.S. ROBOTICS NON SI APPLICA A TALI PRODOTTI SOFTWARE DI ALTRE CASE. FARE RIFERIMENTO AL CONTRATTO DI LICENZA PER L'UTENTE FINALE CHE REGOLA L'USO DI TALE PRODOTTO SOFTWARE PER LA RELATIVA GARANZIA.

**SERVIZIO DI GARANZIA:** il Cliente deve rivolgersi a un centro di assistenza aziendale U.S. Robotics o a un centro di assistenza U.S. Robotics autorizzato entro il periodo di garanzia applicabile per ricevere l'autorizzazione al servizio in garanzia. Può essere richiesto di comprovare la data dell'acquisto presso U.S. Robotics o un rivenditore autorizzato. I prodotti restituiti al centro di assistenza aziendale U.S. Robotics devono essere preventivamente autorizzati da U.S. Robotics con un numero d'ordine di riparazione (numero SRO, Service Repair Order) da riportare all'esterno della confezione, che dovrà essere imballata adeguatamente e inviata con spese postali pagate, possibilmente assicurando la spedizione. L'articolo riparato o sostituito verrà rispedito al Cliente a spese di U.S. Robotics entro e non oltre trenta (30) giorni dal ricevimento del prodotto difettoso. Restituire il prodotto a:



## Garanzia limitata di U.S. Robotics Corporation

Negli Stati Uniti:  
USR-Walnut  
528 Spanish Lane  
Walnut, Ca. 91789

In Canada:  
U.S. Robotics  
Unit-100, 13751 Mayfield Place  
Richmond, B.C. Canada V6V 2G9

In Europa:  
FRS Europe BV.  
Draaibrugweg 2  
1332 AC Almere  
Paesi Bassi

U.S. Robotics non è responsabile per software, firmware, informazioni o dati in memoria del Cliente contenuti, memorizzati o integrati in qualsiasi prodotto restituito per riparazione, indipendentemente dalla validità della garanzia.

ESCLUSIVA DELLE GARANZIE: SE UN PRODOTTO U. S. ROBOTICS NON FUNZIONA COME DA GARANZIA, L'UNICO RIMEDIO ACCESSIBILE AL CLIENTE PER MANCATO RISPETTO DELLA GARANZIA CONSISTE NELLA RIPARAZIONE, NELLA SOSTITUZIONE O NEL RIMBORSO DEL PREZZO DI ACQUISTO PAGATO, A DISCREZIONE DI U. S. ROBOTICS. NEI LIMITI CONSENTITI DALLA LEGGE, LE SUDDETTE GARANZIE E I SUDDETTI RIMEDI SONO ESCLUSIVI E SOSTITUISCONO TUTTE LE ALTRE GARANZIE O CONDIZIONI, ESPRESSE O IMPLICITE, DI FATTO O AI SENSI DELLA LEGGE, STATUTARIE O DI ALTRA NATURA, COMPRESSE LE GARANZIE O LE CONDIZIONI DI COMMERCIALIZZABILITÀ, IDONEITÀ A SCOPI PARTICOLARI, QUALITÀ SODDISFACENTE, CORRISPONDENZA ALLA DESCRIZIONE E NON VIOLAZIONE, RISPETTO ALLE QUALI SI DECLINA OGNI RESPONSABILITÀ. U.S. ROBOTICS NON SI ASSUME NÉ AUTORIZZA ALTRE PERSONE AD ASSUMERE PER SUO CONTO ULTERIORI RESPONSABILITÀ IN RELAZIONE ALLA VENDITA, ALL'INSTALLAZIONE, ALLA MANUTENZIONE O ALL'USO DEI PROPRI PRODOTTI. U.S. ROBOTICS NON SARÀ RESPONSABILE AI FINI DELLA PRESENTE GARANZIA QUALORA I CONTROLLI E LE VERIFICHE DIMOSTRINO CHE IL DIFETTO LAMENTATO NEL PRODOTTO NON ESISTE O È STATO CAUSATO DA ABUSO, NEGLIGENZA, INSTALLAZIONI O COLLAUDO IMPROPRI, INTERVENTI DI RIPARAZIONE O MODIFICA NON AUTORIZZATI, DA PARTE DEL CLIENTE O DI TERZI, OPPURE DA ALTRE CAUSE CHE VANNO OLTRE L'USO PREVISTO DEL PRODOTTO, OPPURE DA INCIDENTI, INCENDI, FULMINI, ALTRI EVENTI PERICOLOSI O CAUSE DI FORZA MAGGIORE.

LIMITAZIONE DI RESPONSABILITÀ: FATTE SALVE LE DISPOSIZIONI PREVISTE DALLA LEGGE, U.S. ROBOTICS E I SUOI FORNITORI NON POTRANNO ESSERE RITENUTI RESPONSABILI, PER INADEMPIMENTO O ATTO ILLECITO, COMPRESA LA NEGLIGENZA, DI QUALSIASI DANNO CONSEGUENZIALE, INDIRETTO, SPECIFICO O PUNITIVO DI QUALSIASI TIPO O DELLA PERDITA DI INTROITI, PROFITTI O AFFARI, DELLA PERDITA DI INFORMAZIONI O DATI O DI ALTRE PERDITE FINANZIARIE DOVUTE O COLLEGATE ALLA VENDITA, ALL'INSTALLAZIONE, ALLA MANUTENZIONE, ALL'USO, ALLE PRESTAZIONI, AL GUASTO O ALL'INTERRUZIONE DI SERVIZIO DEI SUOI PRODOTTI, ANCHE QUALORA U.S. ROBOTICS O UNO DEI SUOI RIVENDITORI AUTORIZZATI SIA STATO AVVERTITO DELLA POSSIBILITÀ DI TALI DANNI. LA RESPONSABILITÀ DI U.S. ROBOTICS È LIMITATA ALLA RIPARAZIONE, ALLA SOSTITUZIONE O AL RIMBORSO DEL PREZZO DI ACQUISTO DEL PRODOTTO, A SUA DISCREZIONE. QUESTA LIMITAZIONE DI RESPONSABILITÀ PER DANNI NON VIENE MODIFICATA QUALORA I RIMEDI DESCRITTI NON CONSEGUANO IL LORO SCOPO FONDAMENTALE.

LIMITAZIONE DELLA GARANZIA: alcuni Paesi o Stati non autorizzano l'esclusione o la limitazione delle garanzie implicite o la limitazione dei danni incidentali o consequenziali per certi prodotti forniti ai consumatori o la limitazione della responsabilità per danni fisici, pertanto le suddette limitazioni potrebbero non essere applicabili al caso specifico. Nei casi in cui non sia consentito escludere del tutto le garanzie implicite, le stesse saranno limitate alla durata della garanzia scritta applicabile. Questa garanzia conferisce all'acquirente diritti legali specifici che potranno variare in base alle leggi locali in vigore.

LEGGE APPLICABILE: la presente garanzia limitata sarà regolata dalle leggi dello Stato dell'Illinois, Stati Uniti, esclusi i relativi principi sui conflitti di legge e l'applicazione della Convenzione delle Nazioni Unite sui Contratti sulla Vendita Internazionale di Beni.

Questo documento contiene materiali tutelati dal diritto d'autore. Tutti i diritti riservati. Questo manuale non può essere né parzialmente né interamente riprodotto o trasmesso in alcuna forma o con alcun mezzo o per alcuno scopo senza l'autorizzazione scritta degli autori. I nomi dei prodotti contenuti nel documento vengono indicati solo a scopo identificativo. Tutti i marchi registrati, i nomi di prodotti o nomi commerciali presenti nel documento sono proprietà registrata dei rispettivi proprietari.

## Módem ADSL Ethernet

### Requisitos del sistema

Compruebe que cuenta con lo siguiente antes de proceder a la instalación:

- una tarjeta de interfaz de red Ethernet 10/100 Network Interface Card (NIC) instalada en su ordenador;
- una cuenta DSL de Internet activa;
- Puede ser necesario un filtro de línea para cada teléfono que comparta la línea con el módem ADSL. Asegúrese de que no hay ningún filtro instalado entre el módem ADSL y el cajetín de conexión telefónica. Puede que su proveedor de acceso a Internet mediante DSL le proporcione microfiltros.



### Vista frontal

A continuación se describe la función de cada indicador LED:

El LED PWR se ilumina si el módem está recibiendo corriente.

El LED ALM se enciende cuando se produce un error.

El LED LAN se enciende cuando se establece una conexión Ethernet entre su módem ADSL y el ordenador, y parpadea durante el tráfico de datos en Ethernet.

El LED DSL se encenderá cuando haya una conexión ADSL entre el módem ADSL y el cajetín de conexión a la red telefónica o parpadeará durante el tráfico de datos en ADSL.

**Nota:** Todos los LED se iluminarán durante unos 30 segundos cuando encienda o reinicie el módem ADSL.



### Vista posterior

El conector PWR es la entrada de corriente del módem ADSL.

El puerto ENET se usa para conectar el módem ADSL al puerto Ethernet de la tarjeta Ethernet de su PC.

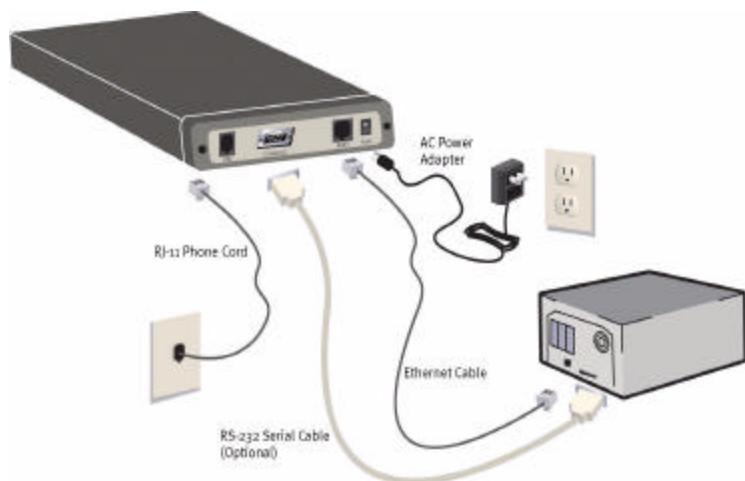
El puerto CONSOLE se usa para conectar el módem ADSL al puerto de serie de su ordenador para establecer configuraciones optativas.

El puerto DSL se usa para conectar el módem ADSL al cajetín de conexión a la red telefónica.

---

## Conexión del módem ADSL Ethernet

En el siguiente gráfico se representa la distribución de un sistema equipado con un módem ADSL Ethernet.



1

Conecte el cable telefónico RJ-11 al puerto DSL de la parte trasera de su módem ADSL y al cajetín de la red telefónica.

2

Conecte el cable Ethernet al puerto ENET en la parte trasera de su módem ADSL y al puerto Ethernet de la NIC (tarjeta de interfaz de red) de su PC.

3

Conecte el adaptador de corriente al conector PWR que hay en la parte trasera del módem ADSL. Enchufe el adaptador a un toma de corriente. El módem ADSL recibirá corriente ininterrumpidamente, por lo que no hay que encender o apagar interruptor alguno. El LED PWR del panel frontal del módem ADSL se encenderá si el módem está recibiendo corriente. Si su PC no estuviese encendido, enciéndalo ahora.

## Verificación del funcionamiento normal

Siga los pasos que exponemos a continuación para verificar la instalación y funcionamiento del módem ADSL. Si se produjese alguna anomalía, consulte la sección de resolución de problemas que encontrará en esta guía.

1

Inicie el navegador de Internet en el PC que tenga conectado al módem ADSL.

2

Teclee una dirección cualquiera de Internet o <http://www.usr.com>, por ejemplo, en su navegador.

3

Compruebe si el LED DSL que hay en la parte delantera del módem ADSL parpadea para saber si se transmiten o reciben datos. Si la página Web seleccionada sale en la pantalla del navegador, es que se ha podido establecer la conexión a la red.

Una vez acabado el proceso de instalación, puede que algunos proveedores de acceso mediante DSL le pidan que configure su módem ADSL Ethernet. Pregunte a su proveedor de acceso mediante DSL si ha configurado sus servicios para el módem ADSL Ethernet o si lo tendrá que configurar usted mismo. En este último caso, consulte las instrucciones referentes a la configuración de la guía del usuario que encontrará en el CD-ROM de instalación. Si su proveedor no ha preconfigurado el módem, asegúrese de que le ha proporcionado los siguientes datos:

- Configuración del servicio WAN (PPP a través de ATM, PPP a través de Ethernet, modo de puenteado RFC 1483 o modo de encaminado RFC1483)
- Nombre de usuario e información de la contraseña
- Valores VPI/VCI y modo de encapsulado
- Información de IP (DHCP o dirección estática IP, servidor DNS Server y máscara de subred)

Los datos que necesita podrían variar ligeramente de los que acabamos de enumerar. Confirme con su proveedor qué información necesita.

## Solución de problemas

### No se ilumina ningún indicador LED al encender el módem ADSL.

#### Solución posible:

Compruebe la conexión entre el adaptador de corriente al módem ADSL y la red eléctrica.

### Ha fallado el inicio de la conexión DSL.

#### Solución posible:

Asegúrese de que el cable DSL está bien conectado al puerto DSL de la parte trasera del módem ADSL y al cajetín del teléfono de su casa. El indicador LED DSL de la parte delantera de su ADSL deberá encenderse.

#### Solución posible:

Asegúrese de que su VPI, VCI, la configuración del tipo de encapsulado y tipo de multiplexado se corresponden con la información aportada por el proveedor de acceso mediante DSL. Consulte la guía del usuario para obtener más información.

### No puedo conectarme al ISP (proveedor de acceso a Internet).

#### Solución posible:

Compruebe si el LED DSL de la parte delantera del módem ADSL está encendido. Asegúrese de que el cable DSL está bien conectado al puerto DSL de la parte trasera del módem ADSL y al cajetín del teléfono de su casa.

#### Solución posible:

Compruebe si el LED LAN de la parte delantera del módem ADSL está encendido. Asegúrese de que el cable Ethernet está bien conectado al puerto ENET de la parte trasera del módem ADSL y al cajetín del teléfono de su casa.

#### Solución posible:

Asegúrese de que su VPI, VCI, la configuración del tipo de encapsulado y tipo de multiplexado se corresponden con la información aportada por el proveedor de acceso mediante DSL. Consulte la guía del usuario para obtener más información.

#### Solución posible:

Compruebe que ha escrito el nombre de conexión adecuado y contraseña para su proveedor de acceso mediante DSL.

#### Solución posible:

Asegúrese de que la configuración de las propiedades TCP/IP se corresponden con la información aportada por su proveedor. La mayoría de los proveedores precisan que el ordenador obtenga la dirección IP del proveedor usando DHCP. En el panel de control de configuración de la red, haga clic en los botones **Obtain IP address automatically (Obtener dirección IP automáticamente)** y **Obtain DNS server address automatically (Obtener dirección de servidor DNS automáticamente)**.

## Si sigue teniendo problemas:

1. Llame al mayorista que le vendió este producto U.S. Robotics.  
Puede que el mayorista le resuelva el problema por teléfono o le pida que devuelva el producto a la tienda para su reparación.

2. Llame al servicio de asistencia técnica de U.S. Robotics.

Los informáticos de nuestro servicio podrán resolver las consultas técnicas sobre los productos de red de U.S. Robotics.

País	Teléfono	Internet	Horario de asistencia
China	10800 650 5108	apr_modemsupport@usr.com	9:00 – 17:00, Lun.-Vie.
Hong Kong	800 90 3191	hk_modemsupport@usr.com	9:00 – 17:00, Lun.-Vie.
India	Delhi - 11 6284198/ 99/ 18/ 19 Hyperbad - 40 6261600/ 01/ 02/ 03 Calcuta - 33 216 1800/ 01 Chennai - 44 851 5273/ 74 Bombay - 22 8252188/ 93/ 94/ 95 Bangalore - 80 2380303/ 04	apr_modemsupport@usr.com apr_modemsupport@usr.com apr_modemsupport@usr.com apr_modemsupport@usr.com apr_modemsupport@usr.com apr_modemsupport@usr.com	9:00 – 17:00, Lun.-Vie. 9:00 – 17:00, Lun.-Vie. 9:00 – 17:00, Lun.-Vie. 9:00 – 17:00, Lun.-Vie. 9:00 – 17:00, Lun.-Vie. 9:00 – 17:00, Lun.-Vie.
Indonesia	001 803 65 7402	apr_modemsupport@usr.com	9:00 – 17:00, Lun.-Vie.
Japón	(03) 5495 9408	apr_modemsupport@usr.com	9:00 – 17:00, Lun.-Vie.
Corea		apr_modemsupport@usr.com	9:00 – 17:00, Lun.-Vie.
Malasia	1800 80 1554	apr_modemsupport@usr.com	9:00 – 17:00, Lun.-Vie.
Filipinas	1800 1 651 0215	apr_modemsupport@usr.com	9:00 – 17:00, Lun.-Vie.
Singapur	65 784 9910	sg_modemsupport@usr.com	9:00 – 17:00, Lun.-Vie.
Corea del Sur	00798 651 7135	apr_modemsupport@usr.com	9:00 – 17:00, Lun.-Vie.
Taiwán	0080 65 1349	apr_modemsupport@usr.com	9:00 – 17:00, Lun.-Vie.
Indonesia	001 800 65 6252	apr_modemsupport@usr.com	9:00 – 17:00, Lun.-Vie.
Australia	1 800 628 324	anza_modemsupport@usr.com	9:00 – 17:00, Lun.-Vie.
Nueva Zelanda	0800 877 43	anza_modemsupport@usr.com	9:00 – 17:00, Lun.-Vie.
Austria	07 110 900 116	emea_modemsupport@usr.com	8:00 – 18:00, Lun.-Vie.
Bélgica (neerlandés)	+32 (0) 70 233 545	emea_modemsupport@usr.com	9:00 – 18:00, Lun.-Vie.
Bélgica (francés)	+32 (0) 70 233 546	emea_modemsupport@usr.com	9:00 – 18:00, Lun.-Vie.
Dinamarca	+45 7010 4030	emea_modemsupport@usr.com	9:00 – 17:00, Lun.-Vie.
Finlandia	+358 98 171 0015	emea_modemsupport@usr.com	10:00 – 18:00, Lun.-Vie.
Francia	080 307 0693	france_modemsupport@usr.com	9:00 – 18:00, Lun.-Vie.
Alemania/Hungría	01805671548	germany_modemsupport@usr.com	8:00 – 18:00, Lun.-Vie.
Irlanda	+44 870 844 4546	emea_modemsupport@usr.com	9:00 – 18:00, Lun.-Vie.
Israel		emea_modemsupport@usr.com	9:00 – 17:30, Lun.-Vie.
Italia	848 80 9903	italy_modemsupport@usr.com	9:00 – 18:00, Lun.-Vie.
Luxemburgo	+352 342 080 8318	emea_modemsupport@usr.com	9:00 – 18:00, Lun.-Vie.
Oriente Medio/África	+44 870 844 4546	emea_modemsupport@usr.com	9:00 – 18:00, Lun.-Vie.
Países Bajos	0900 20 25 857	emea_modemsupport@usr.com	9:00 – 18:00, Lun.-Vie.
Noruega	+47 (0) 23 50 0097	emea_modemsupport@usr.com	9:00 – 17:00, Lun.-Vie.
Polonia		emea_modemsupport@usr.com	8:00 – 18:00, Lun.-Vie.
Portugal	+35 11 415 4034	emea_modemsupport@usr.com	9:00 – 17:00, Lun.-Vie.
España	902 117 964	spain_modemsupport@usr.com	9:00 – 17:00, Lun.-Vie.
Suecia	+46 (0) 851 992 035	emea_modemsupport@usr.com	8:00 – 17:00, Lun.-Vie.
Suiza	+0848 840 200	emea_modemsupport@usr.com	8:00 – 18:00, Lun.-Vie.
Reino Unido	0870 8444 546	uk_modemsupport@usr.com	9:00 – 17:30, Lun.-Vie.

Si desea recibir información actualizada sobre los servicios de asistencia, visite el sitio <http://www.usr.com/>

## Adecuación a normas del sector

### Declaración de conformidad FCC del fabricante

Declaramos bajo nuestra entera y exclusiva responsabilidad que el módem U.S. Robotics ADSL Ethernet, al que hace referencia la presente documentación, cumple las siguientes normas y disposiciones:

Métodos de medición ANSI C63.4-1992

Federal Communications Commission 47 CFR parte 15, clase B

15.107 (e) clase B, límites a la radiación por conducción

15.109 (g) clase B, límites a radiaciones

Telecom: (EE.UU.) FCC parte 68, (Canadá) Industry Canada (CS-03)

**Declaración de conformidad con la Clase B de la FCC**

Este dispositivo cumple lo establecido en la Normativa de la FCC, Parte 15. Su funcionamiento está sujeto a las dos condiciones siguientes:

- 1.este dispositivo no causa interferencias electromagnéticas perjudiciales y
- 2.este dispositivo tolera cualquier interferencia recibida, incluidas las interferencias que puedan provocar un funcionamiento no deseado.

**Interferencia con la radio y la televisión**

Nota: Tras someterlo a las pruebas correspondientes, se ha determinado que este equipo cumple los límites establecidos para dispositivos digitales de Clase B de conformidad con la parte 15 de la Normativa de la FCC. Estos límites se han establecido con el objetivo de aportar una protección razonable contra interferencias perjudiciales cuando el equipo se utiliza en un el hogar. Este equipo genera, utiliza y puede emitir energía de radiofrecuencia y, a menos que se instale y se utilice de acuerdo con el manual de instrucciones, puede provocar interferencias perjudiciales en las comunicaciones de radio y televisión. Sin embargo, no existe garantía de que estas no se produzcan en determinadas instalaciones. Si el equipo produce interferencias perjudiciales en la recepción de radio o televisión, lo cual puede probarse encendiendo y apagando el equipo, se recomienda al usuario corregir dichas interferencias aplicando una o varias veces las siguientes medidas:

- reorientar o reubicar la antena de recepción o cable de entrada;
- aumentar la separación entre el equipo y el receptor;
- conectar el equipo a una toma de corriente o circuito diferente al del receptor;
- consultar al distribuidor o a un técnico especialista de radio o TV.

Puede resultar de utilidad la información preparada por la Federal Communications Commission (FCC) en: Telephone Interference Bulletin.

Estos documentos pueden obtenerse a través de Internet, en el sitio Web de la CIB <http://www.fcc.gov/cib>. En el apartado "Consumer Information Directory - Telephone - Miscellaneous Telephone Information", elija "Interference to Telephones".

Precaución: Todo cambio o modificación realizado en el equipo sin contar con la aprobación expresa de la parte responsable del cumplimiento de las reglas de conformidad puede anular el derecho del usuario a trabajar con el equipo.

**Certificación CSA**

Este equipo informático ha recibido el certificado CSA a los efectos descritos en la guía de instalación.

**Aviso para Canadá**

Este aparato digital no excede los límites de la Clase B para emisiones de radio procedentes de aparatos digitales establecidos en la norma para equipos generadores de interferencias bajo el título: Digital Apparatus, ICES-003 de Industry Canada.

Su centro de reparaciones y garantía es:

U.S. Robotics  
Unit-100 13751 Mayfield Pl.  
Richmond, B.C. Canadá V6V 2G9

Por su propia seguridad, el usuario deberá procurar que todas las conexiones a tierra de la fuente de alimentación eléctrica, la s líneas telefónicas y el sistema metálico de canalización de aguas, si lo hubiere, estén interconectados. Esta medida de precaución es especialmente importante en zonas rurales.

Precaución: El usuario no deberá tratar de realizar por su cuenta las conexiones a tierra; deberá ponerse en contacto con la autoridad inspectora competente o acudir a un electricista.

**Declaración de conformidad CE del fabricante :**

U.S. Robotics Corporation, sita en el 935 de National Parkway, Schaumburg, Illinois, 60173-5157 (Estados Unidos), declara bajo su entera y exclusiva responsabilidad que el módem U.S. Robotics ADSL Ethernet, al que hace referencia la presente documentación, cumple las siguientes normas y disposiciones:

EN60950  
EN55022  
EN55024  
EN61000-3-2  
EN61000-3-3

Por el presente documento declaramos que este producto cumple todos los requisitos fundamentales y disposiciones pertinentes de la Directiva 1995/5/CE. Se ha llevado a cabo el procedimiento de evaluación de conformidad con lo indicado en el Artículo 10(3) y detallado en el Anexo II de la Directiva 1999/5/CE.

**Garantía limitada de U.S. Robotics Corporation**

EQUIPO: U.S. Robotics garantiza al usuario final (en lo sucesivo, "el cliente") la ausencia de defectos materiales y de fabricación en este producto de hardware, en condiciones normales de uso y mantenimiento, durante el periodo de tiempo que se indica a continuación, desde la fecha de compra a U.S. Robotics o a un distribuidor autorizado:

2 (dos) años

De conformidad con lo estipulado en esta garantía, U.S. Robotics queda obligado exclusivamente, y siempre a discreción de U.S. Robotics y con cargo a U.S. Robotics, a reparar el producto o el componente defectuoso del mismo, entregar al cliente un producto o componente equivalente para sustituir el artículo defectuoso o entregar al cliente un producto equivalente como sustituto del producto. Todos los productos sustituidos pasarán a ser propiedad de U.S. Robotics. Los productos sustituitivos pueden ser nuevos o reacondicionados. U.S. Robotics garantiza todos los productos sustituidos o reparados durante 90 (noventa) días desde la fecha de su envío, o bien durante el tiempo que reste del periodo de garantía original, tomándose el periodo más largo de ambos.

Software: U.S. Robotics garantiza al cliente que todos los programas de software concedidos conforme a licencia de U.S. Robotics funcionarán sustancialmente de acuerdo con lo establecido en sus hojas de datos técnicos, durante un periodo de 90 (noventa) días a partir de la fecha de adquisición a U.S. Robotics o a un distribuidor autorizado. U.S. Robotics garantiza la ausencia de fallos en el soporte informático que contiene dicho software durante el periodo de garantía. Esta garantía no cubre ninguna actualización. Conforme a lo

## Garantía limitada de U.S. Robotics Corporation

estipulado en esta garantía expresa, la única obligación de U.S. Robotics será, a discreción de U.S. Robotics y con cargo a U.S. Robotics, devolver al cliente el importe de compra desembolsado por cualquier producto de software que resulte ser defectuoso, o bien reemplazar cualquier soporte defectuoso por software que se ajuste sustancialmente a los datos técnicos publicados por U.S. Robotics. Es responsabilidad del cliente elegir los programas y los materiales de consulta correspondientes. U.S. Robotics no garantiza ni manifiesta que sus productos de software satisfagan las necesidades del cliente o funcionen en combinación con otros productos de hardware o software de otros fabricantes, ni que el funcionamiento de los productos de software sea ininterrumpido o que carezca de errores, ni que los defectos detectados en los productos de software vayan a ser corregidos. En cuanto a los productos de otros fabricantes cuya compatibilidad se menciona en los datos técnicos o la documentación de los productos de software de U.S. Robotics, esta empresa hará un esfuerzo razonable por habilitar dicha compatibilidad, salvo en los casos en que la incompatibilidad se deba a un defecto en el producto de otro fabricante o al uso del producto de software contrario a lo establecido en los manuales del usuario o los datos técnicos publicados por U.S. Robotics.

Este producto de U.S. Robotics puede incluir o estar comprendido en un software de otro fabricante cuyo uso esté sujeto a un acuerdo de licencia de usuario final independiente. Esta garantía de U.S. Robotics no cubre el software de otros fabricantes. Para saber cuáles son las condiciones de la garantía aplicable en este último caso, consulte el acuerdo de licencia de usuario final que rige el uso de dicho software.

Prestación del servicio en garantía: Para obtener la autorización de servicio en garantía, el cliente debe ponerse en contacto con un centro de asistencia técnica de U.S. Robotics o con un servicio de asistencia técnica autorizado de U.S. Robotics dentro del período de garantía vigente. Puede que U.S. Robotics o su distribuidor autorizado le solicite el correspondiente comprobante de compra. Los productos enviados al servicio de asistencia de U.S. Robotics deben haber sido previamente autorizados por U.S. Robotics mediante un número de solicitud de reparación del usuario (SRO) anotado en el exterior del paquete, a portes pagados y embalados correctamente para su transporte seguro. Se recomienda además asegurarlos y enviarlos por un método que permita el seguimiento de dicho transporte. Los artículos reparados o sustituidos serán enviados al cliente, con cargo a U.S. Robotics, antes de 30 (treinta) días desde la fecha de recepción del producto defectuoso por parte de U.S. Robotics. Sírvase devolver el producto a la siguiente dirección:

En Estados Unidos:  
USR-Walnut  
528 Spanish Lane  
Walnut, Ca. 91789

En Canadá:  
U.S. Robotics  
Unit-100, 13751 Mayfield Place  
Richmond, B.C. Canadá V6V 2G9

En Europa:  
FRS Europe BV.  
Draaibrugweg 2  
1332 AC Almere  
Países Bajos

U.S. Robotics no se hace responsable de ningún software, firmware, información o datos en memoria del cliente que estén registrados, almacenados o integrados en cualquier producto devuelto a U.S. Robotics para su reparación, ya sea conforme a garantía o no.

Garantía exclusiva: Si los productos de U.S. Robotics no funcionasen de acuerdo con las condiciones expresadas en la garantía anterior, la única compensación a que tendrá derecho el cliente por incumplimiento de dicha garantía será la reparación, sustitución o el reembolso del importe de compra desembolsado, a discreción de U.S. Robotics. Dentro de los límites permitidos por la ley, la presente garantía y los recursos descritos en la misma son exclusivos y sustituyen a todas las demás garantías o condiciones, explícitas o implícitas, ya sea de hecho o por aplicación de la ley, estatutarias o de otro tipo, incluyendo garantías, condiciones de comerciabilidad, adecuación a un fin determinado, calidad satisfactoria, correspondencia con la descripción y adecuación a la normativa vigente, a todos los cuales se renuncia expresamente. U.S. Robotics no asume ni autoriza a ninguna otra persona a asumir en su representación responsabilidad alguna relacionada con la venta, instalación, mantenimiento o uso de sus productos. La presente garantía exime de toda responsabilidad a U.S. Robotics cuando sus comprobaciones y exámenes demuestren que el defecto o el funcionamiento defectuoso del producto alegado no existe o fue causado por uso indebido, negligencia, instalación o pruebas inapropiadas, intento no autorizado de reparación o modificación, por parte del cliente o de terceros, o por cualquier otra causa no relacionada con el uso previsto del equipo, o por accidente, incendio, rayos, cortes o interrupciones del suministro eléctrico u otros factores fortuitos.

Limitación de responsabilidad: En la medida en que la ley lo permita, ni U.S. Robotics ni sus proveedores aceptan responsabilidad alguna, ya sea contractual o extracontractual (incluyendo negligencia), de los daños secundarios, derivados, indirectos, especiales o penales de cualquier tipo, o por lucro o beneficio cesante, pérdida de negocio, pérdida de información o datos u otra pérdida financiera derivada o relacionada con la venta, instalación, mantenimiento, uso, rendimiento, fallo o interrupción de sus productos, incluso si U.S. Robotics o sus distribuidores autorizados hubieran sido advertidos de la posibilidad de tales daños, y limita su responsabilidad a reparar, sustituir o reembolsar el precio de compra satisfecho, a discreción de U.S. Robotics. Este descargo de responsabilidad por daños no se verá afectado por la inadecuación de las soluciones aquí establecidas a su propósito esencial.

Descargo: Algunos países o administraciones locales no permiten la exclusión o limitación de garantías implícitas o la limitación de daños secundarios o derivados para ciertos productos suministrados a consumidores ni la limitación de responsabilidad por daños personales. Por ello, puede que las limitaciones y exclusiones arriba indicadas no se apliquen o se apliquen parcialmente en su caso. Cuando las garantías implícitas no puedan ser excluidas en su integridad, se limitarán a la duración de la garantía escrita aplicable. La presente garantía le concede derechos legales específicos que pueden variar dependiendo de la legislación de cada país.

Legislación aplicable: La presente garantía limitada se interpretará de conformidad con la legislación del Estado de California, EE.UU.

## Garantía limitada de U.S. Robotics Corporation

exceptuando sus disposiciones en materia de Derecho Internacional Privado y la Convención de las Naciones Unidas sobre los Contratos de Compraventa Internacional de Mercaderías.

### **Garantía limitada de U.S. Robotics Corporation**

El presente documento contiene elementos protegidos por propiedad intelectual. Reservados todos los derechos. Queda prohibida la reproducción o transmisión de este manual sin el consentimiento expreso y por escrito de sus autores. Los nombres de productos que se mencionan en este manual constan meramente a efectos informativos. Toda marca comercial, denominación de producto o marcas citadas están registradas por sus respectivos titulares.

Printed in Taiwan.